

Byram EA_ Water Module



Available for new construction and retrofit applications, Byram's EA_Water Module provides timely and detailed meter data for more accurate billing and improved customer service. The EA_Water Module is compatible with many major brands of water meters, and it can connect to either digital (pulse) or encoded registers. The modules are designed for use in, remote (wall) mount applications, and support the unit of measure as provided by the water meter register, so that no on-site programming is required.

AMI Solutions for Water

Built with an open architecture, EnergyAxis® provides application integration across multiple utility systems, opening the path for seamless business information transactions. Installing EnergyAxis electricity meters/repeaters builds the infrastructure that allows water AMI metering to be added at an incremental cost, which can result in tremendous savings. Expanding the EnergyAxis network to cover water metering requires little more than the installation of a communication module onto the water meter. The EA_Water Module is compatible with many major brands of water meters, and it can connect to either digital (pulse) or encoded registers. The modules are designed for use in, remote (wall) mount applications, and support the unit of measure as provided by the water meter register, so that no on-site programming is required.

Key Features

- Unlicensed frequency hopping spread spectrum (FHSS) RF technology
- 902 MHz to 928MHz communication range
- Compliant with FCC Rules, Part 15 and Industry Canada RSS-210
- Temperature range of -31°F to +140°F
- Housing meets IP68
- Multiple operation mode:
 - fixed network
 - hybrid (mobile/fixed)
- Designed for wall mounting
- General purpose ABS plastic (material carries a UL flammability rating of UL94 HB)
- Gasket lid with two piece "tongue & groove" construction, resistant to access of oil, dust and water
- Designed to meet IP 67 & NEMA 4, 4X, 12 & 13 ratings
- 4 ft. cable length

The Data You Need

Periodically, the water module reports the usage reading, status, warning messages, and interval data of the meter. The water meter data is then directed through the mesh network to the local gatekeeper, where it is stored for retrieval by the EnergyAxis Management System (EA_MS). The water module data has multiple paths through the EnergyAxis mesh network. Giving this robust mesh networks communication performance, the greatest assurance that the meter readings will be received at the gatekeeper, and be available for retrieval by EA_MS and other customer systems connected through EA_MS.

In addition, all water meter data is posted to your preferred third party billing provider, allowing the highest level of customer support and billing accuracy.

All endpoint components of the EnergyAxis System (including water modules) are uniquely identified by a factory programmed ID. A second unique identifier is implemented across EnergyAxis to ensure the meters are all on the same mesh network.

Specifications

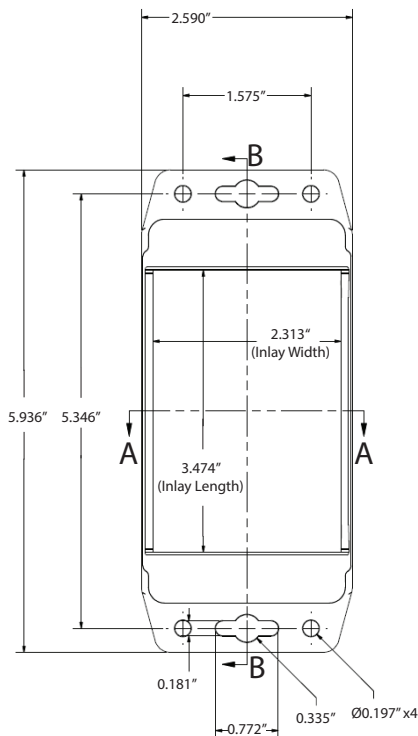
Byram EA_Water Module

Communication Range	902 MHz to 928 MHz
Temperature Range	-31°F to +140°F
Enclosure Material	General purpose ABS plastic

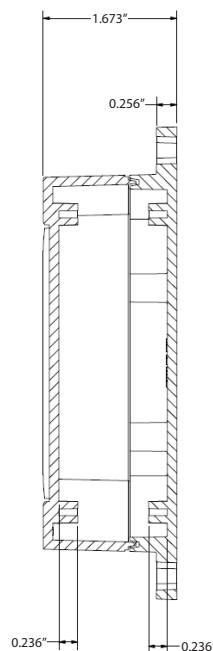
Connection Instructions

Standard register connections	Green cable	Red cable	Black cable
	Data	Power (or power/clock)	Common (ground)
Register connections for pulse (incremental) encoders	Green cable	Red cable	Black cable
	Pulse output	Tamper	Common (ground)
Power Supply	Lithium Battery (expected battery life of over 20 years)		
Width x Height x Depth	6 in. x 2.5 in x 1.5 in		
Weight	0.55 lbs		
Cable Length	4 ft.		
Ordering #	1C5655		

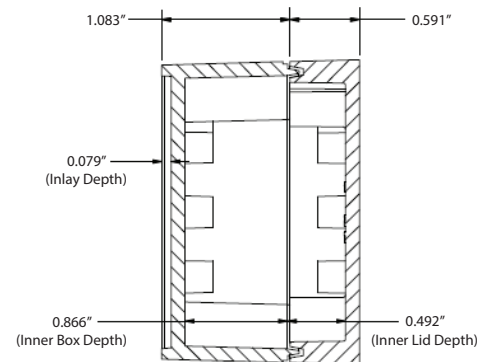
ENCLOSURE ASSEMBLY TOP VIEW



SIDE VIEW OF ASSEMBLY



END VIEW OF ASSEMBLY



EnergyAxis is a registered trademark of Elster. Used by permission.

Information contained herein is subject to change without notice, including product specifications. Contact your Byram representative for the most current product information. Printed in the United States.