

# SPLIT CORE TRANSFORMERS

**Byram Laboratories, Inc.**

*An energy technology company*



**BYRAM LABS**  
AN ENERGY TECHNOLOGY COMPANY



**Byram Laboratories, Inc. Located:**

18 miles from Newark Liberty Airport

25 miles from New York City

33 miles from Lehigh Valley International Airport

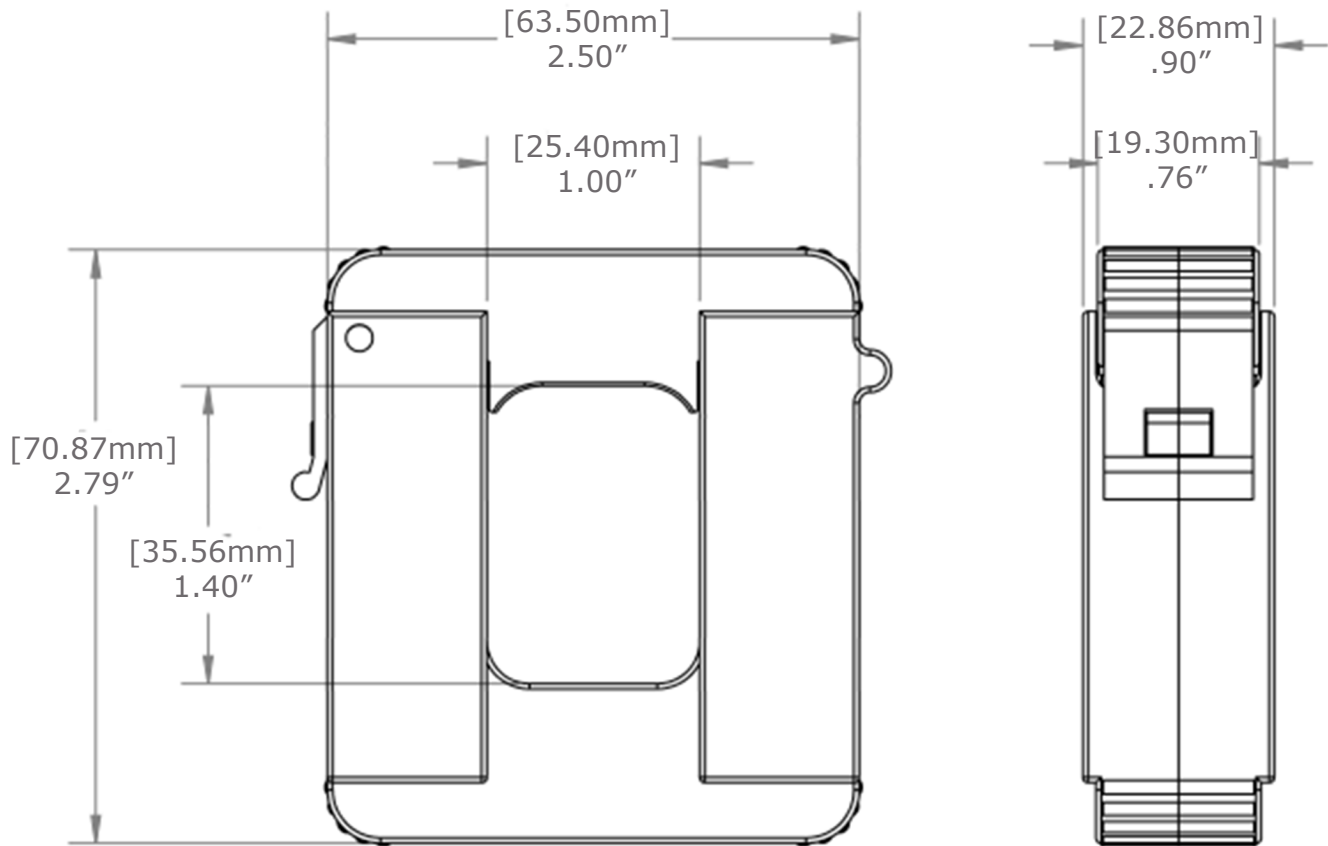
50 miles from Philadelphia

Byram Laboratories, Inc. has delivered smart metering technologies and smart grid solutions worldwide for over 105 years. Byram's solutions and services provide energy management solutions, smart grid applications, real time monitoring services, and operational efficiencies. Byram offers metering technologies, instrument and test equipment, meter calibration services, integration services, technical support, hosted meter data management, and customized solutions to utility, commercial, industrial, and government customers.

# Index

Byram Model	Part Number	Ratio	Page
<b>BL-2 Series</b>			
DIMENSIONAL DIAGRAM	-	-	2
SPECIFICATIONS	-	-	3
BL-2-100-RA005	1C5829	100:5	4
BL-2-150-RA005	1C5893	150:5	5
BL-2-200-RA005	1C5782	200:5	6
BL-2-300-RA005	1C5830	300:5	7
BL-2-400-RA005	1C5857	400:5	8
<b>BL-4 Series</b>			
DIMENSIONAL DIAGRAM	-	-	9
SPECIFICATIONS	-	-	10
BL-4-100-RA005	1B7026	100:5	11
BL-4-200-RA005	1B7027	200:5	12
BL-4-300-RA005	1C1391	300:5	13
BL-4-400-RA005	1B7028	400:5	14
<b>BL-5 Series</b>			
DIMENSIONAL DIAGRAM	-	-	15
SPECIFICATIONS	-	-	16
BL-5-200-RA005	1C2269	200:5	17
BL-5-400-RA005	1C2268	400:5	18
BL-5-600-RA005	1C1417	600:5	19
BL-5-800-RA005	1C1479	800:5	20
BL-5-1000-RA005	1C1408	1000:5	21
<b>BL-6 Series</b>			
DIMENSIONAL DIAGRAM	-	-	22
SPECIFICATIONS	-	-	23
BL-6-600-RA005	1C2688	600:5	24
BL-6-800-RA005	1C2689	800:5	25
BL-6-1200-RA005	1C2153	1200:5	26
BL-6-1600-RA005	1C2690	1600:5	27
BL-6-2000-RA005	1C2691	2000:5	28

# BL – 2 Series Dimensions



**OUTSIDE DIMENSION**  
**2.79 in X 2.50 in**

**INSIDE DIMENSION**  
**1.40 in X 1.00 in**

# BL-2 Series Miniature Split-Core CT's

Byram Laboratories BL-2 Series

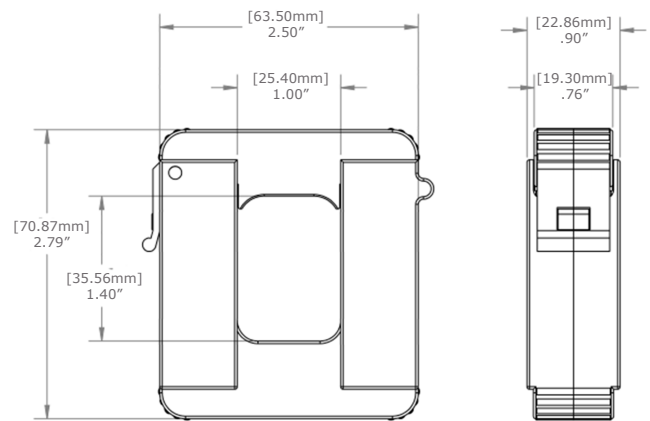


The BL-2 Series provides precision measurement for sub-metering, controls and energy management without dismantling the main line. Ergonomically designed with secured latches and keying holes, this CT handles medium to high load while retaining compact size.

Features
<ul style="list-style-type: none"> <li>• 1.0" x 1.4" window opening (ID)</li> <li>• Secured latch &amp; keying hole for locking/service tag</li> <li>• Swing open for ease of installation</li> <li>• Rigid housing case with UL 94V-0 durable plastic</li> <li>• 6ft black/white twisted pair leads - 16 or 18AWG</li> <li>• Phoenix style and other terminals (option)</li> </ul>

Applications
<ul style="list-style-type: none"> <li>• Energy and sub-metering products</li> <li>• Electrical load monitoring</li> <li>• Network equipment</li> <li>• Instruments and sensors</li> <li>• Control systems</li> <li>• Go GREEN initiatives</li> </ul>

Specifications
<ul style="list-style-type: none"> <li>• Standard Input Current 100 - 400A</li> <li>• Frequency 50Hz - 400Hz</li> <li>• Custom Design Turns-Ratio available</li> <li>• Standard accuracy 0.5 (Varied by models)</li> <li>• Approximate weight 0.5Lbs</li> <li>• Clamping voltage on selected models</li> <li>• ANSI C57.13 and C12.20 Standards</li> </ul>
<p>Specifications subject to change without notice</p>



Part Number	Byram Model	Input Rating	Output
1C5829	BL-2-100-RA005	100A	5A
1C5893	BL-2-150-RA005	150A	5A
1C5782	BL-2-200-RA005	200A	5A
1C5830	BL-2-300-RA005	300A	5A
1C5857	BL-2-400-RA005	400A	5A

*\*Additional options available, please call Byram Laboratories for further assistance.*

# Byram Laboratories BL-2 Series Miniature Split-Core Current Transformer (100:5)

Byram Laboratories BL-2 Series

# \$46.00

The BL-2 Series provides precision measurement for sub-metering, controls and energy management without dismantling the main line. At 400A primary current, BL-2 is clearly the smallest in the market. Ergonomically designed with secured latch and keying hole for locking or service tag.

Part Number	Byram Model	Window Opening	Input Rating	Output	Burden
1C5829	BL-2-100-RA005	1.0" x 1.4"	100A	5A	N/A

## FEATURES

- 1.0" x 1.4" window opening (ID)
- Secured latch & keying hole for locking/service tag
- Swing open for ease of installation
- Rigid housing case with UL 94V-0 durable plastic
- 6ft black/white twisted pair leads - 118AWG
- Phoenix style and other terminals (option)

## APPLICATIONS

- Energy and sub-metering products
- Electrical load monitoring
- Network equipment
- Instruments and sensors
- Control systems
- Go GREEN initiatives

## SPECIFICATIONS

- Standard Input Current 100-400A
- Frequency 50Hz — 400Hz
- Custom design Turns-Ratio available
- Standard accuracy 0.5
- Approximate weight 0.5Lbs
- Clamping voltage on selected models
- ANSI C57.13 and C12.20 Standards

\*Specifications subject to change without notice





# Byram Laboratories BL-2 Series

## Miniature Split-Core Current Transformer (150:5)

Byram Laboratories BL-2 Series

# \$46.00

The BL-2 Series provides precision measurement for sub-metering, controls and energy management without dismantling the main line. At 400A primary current, BL-2 is clearly the smallest in the market. Ergonomically designed with secured latch and keying hole for locking or service tag.

Part Number	Byram Model	Window Opening	Input Rating	Output	Burden
1C5893	BL-2-150-RA005	1.0" x 1.4"	150A	5A	N/A

### FEATURES

- 1.0" x 1.4" window opening (ID)
- Secured latch & keying hole for locking/service tag
- Swing open for ease of installation
- Rigid housing case with UL 94V-0 durable plastic
- 6ft black/white twisted pair leads - 118AWG
- Phoenix style and other terminals (option)

### APPLICATIONS

- Energy and sub-metering products
- Electrical load monitoring
- Network equipment
- Instruments and sensors
- Control systems
- Go GREEN initiatives

### SPECIFICATIONS

- Standard Input Current 100-400A
- Frequency 50Hz — 400Hz
- Custom design Turns-Ratio available
- Standard accuracy 0.5
- Approximate weight 0.5Lbs
- Clamping voltage on selected models
- ANSI C57.13 and C12.20 Standards

\*Specifications subject to change without notice



# Byram Laboratories BL-2 Series Miniature Split-Core Current Transformer (200:5)

Byram Laboratories BL-2 Series

# \$46.00

The BL-2 Series provides precision measurement for sub-metering, controls and energy management without dismantling the main line. At 400A primary current, BL-2 is clearly the smallest in the market. Ergonomically designed with secured latch and keying hole for locking or service tag.

Part Number	Byram Model	Window Opening	Input Rating	Output	Burden
1C5782	BL-2-200-RA005	1.0" x 1.4"	200A	5A	N/A

## FEATURES

- 1.0" x 1.4" window opening (ID)
- Secured latch & keying hole for locking/service tag
- Swing open for ease of installation
- Rigid housing case with UL 94V-0 durable plastic
- 6ft black/white twisted pair leads - 118AWG
- Phoenix style and other terminals (option)

## APPLICATIONS

- Energy and sub-metering products
- Electrical load monitoring
- Network equipment
- Instruments and sensors
- Control systems
- Go GREEN initiatives

## SPECIFICATIONS

- Standard Input Current 100-400A
- Frequency 50Hz — 400Hz
- Custom design Turns-Ratio available
- Standard accuracy 0.5
- Approximate weight 0.5Lbs
- Clamping voltage on selected models
- ANSI C57.13 and C12.20 Standards

\*Specifications subject to change without notice





# Byram Laboratories BL-2 Series Miniature Split-Core Current Transformer (300:5)

Byram Laboratories BL-2 Series

# \$46.00

The BL-2 Series provides precision measurement for sub-metering, controls and energy management without dismantling the main line. At 400A primary current, BL-2 is clearly the smallest in the market. Ergonomically designed with secured latch and keying hole for locking or service tag.

Part Number	Byram Model	Window Opening	Input Rating	Output	Burden
1C1391	BL-2-300-RA005	1.0" x 1.4"	300A	5A	N/A

## FEATURES

- 1.0" x 1.4" window opening (ID)
- Secured latch & keying hole for locking/service tag
- Swing open for ease of installation
- Rigid housing case with UL 94V-0 durable plastic
- 6ft black/white twisted pair leads - 118AWG
- Phoenix style and other terminals (option)

## APPLICATIONS

- Energy and sub-metering products
- Electrical load monitoring
- Network equipment
- Instruments and sensors
- Control systems
- Go GREEN initiatives

## SPECIFICATIONS

- Standard Input Current 100-400A
- Frequency 50Hz — 400Hz
- Custom design Turns-Ratio available
- Standard accuracy 0.5
- Approximate weight 0.5Lbs
- Clamping voltage on selected models
- ANSI C57.13 and C12.20 Standards

\*Specifications subject to change without notice



# Byram Laboratories BL-2 Series

## Miniature Split-Core Current Transformer (400:5)

Byram Laboratories BL-2 Series

# \$46.00

The BL-2 Series provides precision measurement for sub-metering, controls and energy management without dismantling the main line. At 400A primary current, BL-2 is clearly the smallest in the market. Ergonomically designed with secured latch and keying hole for locking or service tag.

Part Number	Byram Model	Window Opening	Input Rating	Output	Burden
1C5857	BL-2-400-RA005	1.0" x 1.4"	400A	5A	N/A

### FEATURES

- 1.0" x 1.4" window opening (ID)
- Secured latch & keying hole for locking/service tag
- Swing open for ease of installation
- Rigid housing case with UL 94V-0 durable plastic
- 6ft black/white twisted pair leads - 118AWG
- Phoenix style and other terminals (option)

### APPLICATIONS

- Energy and sub-metering products
- Electrical load monitoring
- Network equipment
- Instruments and sensors
- Control systems
- Go GREEN initiatives

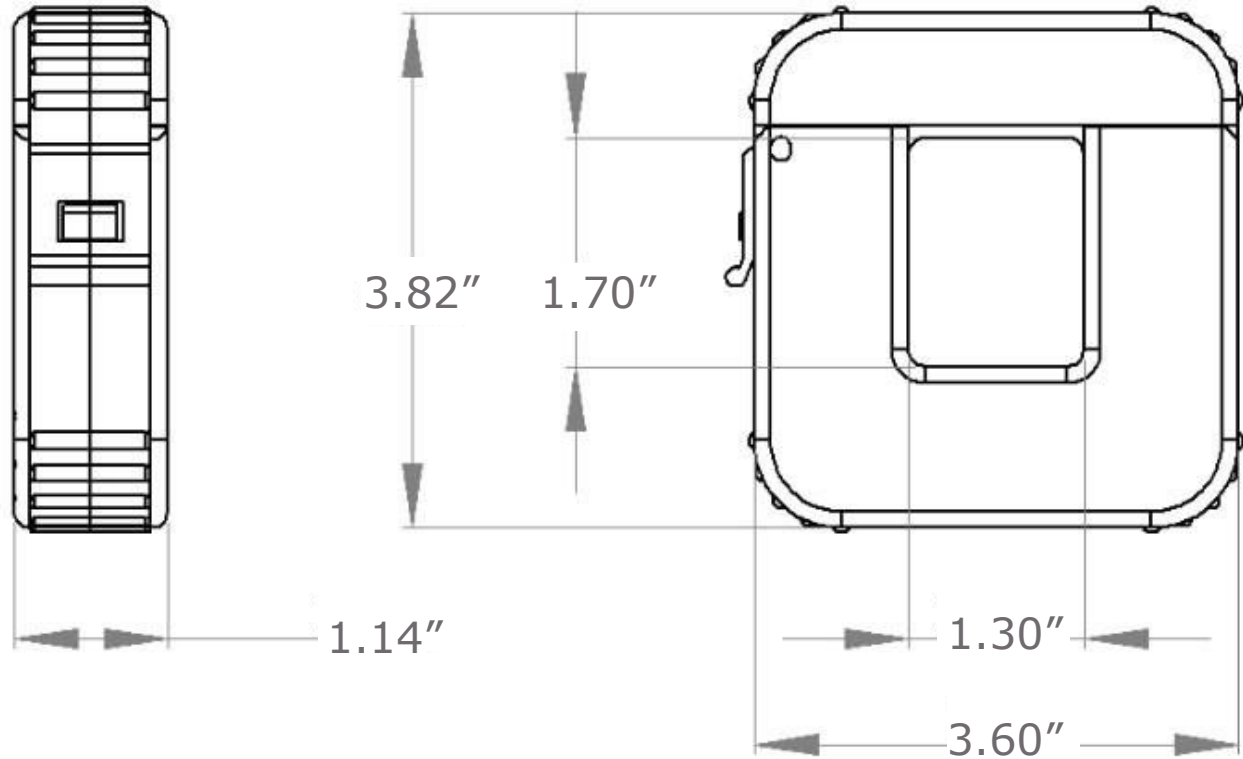
### SPECIFICATIONS

- Standard Input Current 100-400A
- Frequency 50Hz — 400Hz
- Custom design Turns-Ratio available
- Standard accuracy 0.5
- Approximate weight 0.5Lbs
- Clamping voltage on selected models
- ANSI C57.13 and C12.20 Standards

\*Specifications subject to change without notice



# BL – 4 Series Dimensions



**Outside Dimensions**  
**3.82 in X 3.60 in**

**Inside Dimensions**  
**1.70 in X 1.30 in**

# BL-4 Series Split-Core CT's

Byram Laboratories BL-4 Series



The BL-4 Series provides precision measurement for sub-metering, controls and energy management without dismantling the main line. Ergonomically designed with secured latch and keying hole for locking or servicing tag.



## Features

- 1.3" x 1.7" window opening (ID)
- Secured latch & keying hole for locking/service tag
- Swing open for ease of installation
- Rigid housing case with UL 94V-0 durable plastic
- 6ft black/white twisted pair leads - 16 or 18AWG
- Phoenix style and other terminals (option)

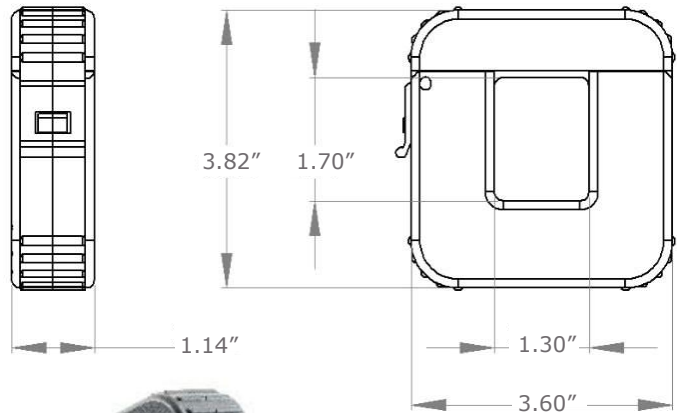
## Applications

- Energy and sub-metering products
- Electrical load monitoring
- Network equipment
- Instruments and sensors
- Control systems
- Go GREEN initiatives

## Specifications

- Standard Input Current 100 - 400A
- Frequency 50Hz - 400Hz
- Custom Design Turns-Ratio available
- Standard accuracy 0.5
- Approximate weight 1.1Lbs
- Clamping voltage on selected models
- ANSI C57.13 and C12.20 Standards

Specifications subject to change without notice



Part Number	Byram Model	Input Rating	Output
1B7026	BL-4-100-RA005	100A	5A
1B7027	BL-4-200-RA005	200A	5A
1C1391	BL-4-300-RA005	300A	5A
1B7028	BL-4-400-RA005	400A	5A

\*Additional options available, please call Byram Laboratories for further assistance.

# Byram Laboratories BL-4 Series Split-Core Current Transformer (100:5)

Byram Laboratories BL-4 Series

# \$90.00

The BL-4 Series provides precision measurement for sub-metering, controls and energy management without dismantling the main line. Ergonomically designed with secured latch and keying hole for locking or service tag.

Part Number	Byram Model	Window Opening	Input Rating	Output	Burden
1B7026	BL-4-100-RA005	1.3" x 1.7"	100A	5A	1.5

## FEATURES

- 1.3" x 1.7" window opening (ID)
- Secured latch & keying hole for locking/service tag
- Swing open for ease of installation
- Rigid housing case with UL 94V-0 durable plastic
- 6ft black/white twisted pair leads - 16 or 18AWG
- Phoenix style and other terminals (option)

## APPLICATIONS

- Energy and sub-metering products
- Electrical load monitoring
- Network equipment
- Instruments and sensors
- Control systems
- Go GREEN initiatives

## SPECIFICATIONS

- Standard Input Current 100-400A
- Frequency 50Hz — 400Hz
- Custom design Turns-Ratio available
- Standard accuracy 0.5
- Approximate weight 1.1Lbs
- Clamping voltage on selected models
- ANSI C57.13 and C12.20 Standards

\*Specifications subject to change without notice





# Byram Laboratories BL-4 Series Split-Core Current Transformer (200:5)

Byram Laboratories BL-4 Series

# \$90.00

The BL-4 Series provides precision measurement for sub-metering, controls and energy management without dismantling the main line. Ergonomically designed with secured latch and keying hole for locking or service tag.

Part Number	Byram Model	Window Opening	Input Rating	Output	Burden
1B7027	BL-4-200-RA005	1.3" x 1.7"	200A	5A	2.1

## FEATURES

- 1.3" x 1.7" window opening (ID)
- Secured latch & keying hole for locking/service tag
- Swing open for ease of installation
- Rigid housing case with UL 94V-0 durable plastic
- 6ft black/white twisted pair leads - 16 or 18AWG
- Phoenix style and other terminals (option)

## APPLICATIONS

- Energy and sub-metering products
- Electrical load monitoring
- Network equipment
- Instruments and sensors
- Control systems
- Go GREEN initiatives

## SPECIFICATIONS

- Standard Input Current 100-400A
- Frequency 50Hz — 400Hz
- Custom design Turns-Ratio available
- Standard accuracy 0.5
- Approximate weight 1.1Lbs
- Clamping voltage on selected models
- ANSI C57.13 and C12.20 Standards

\*Specifications subject to change without notice





# Byram Laboratories BL-4 Series Split-Core Current Transformer (300:5)

Byram Laboratories BL-4 Series

# \$90.00

The BL-4 Series provides precision measurement for sub-metering, controls and energy management without dismantling the main line. Ergonomically designed with secured latch and keying hole for locking or service tag.

Part Number	Byram Model	Window Opening	Input Rating	Output	Burden
1C1391	BL-4-300-RA005	1.3" x 1.7"	300A	5A	2.4

## FEATURES

- 1.3" x 1.7" window opening (ID)
- Secured latch & keying hole for locking/service tag
- Swing open for ease of installation
- Rigid housing case with UL 94V-0 durable plastic
- 6ft black/white twisted pair leads - 16 or 18AWG
- Phoenix style and other terminals (option)

## APPLICATIONS

- Energy and sub-metering products
- Electrical load monitoring
- Network equipment
- Instruments and sensors
- Control systems
- Go GREEN initiatives

## SPECIFICATIONS

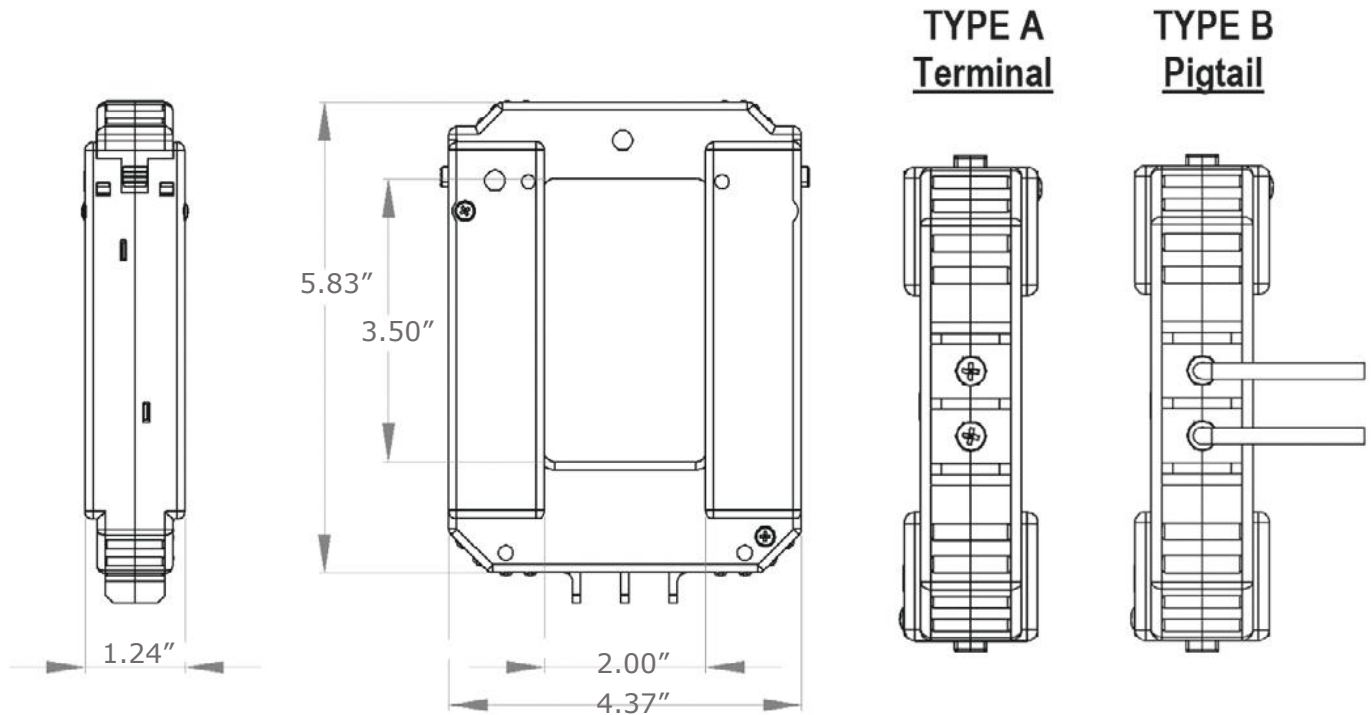
- Standard Input Current 100-400A
- Frequency 50Hz — 400Hz
- Custom design Turns-Ratio available
- Standard accuracy 0.5
- Approximate weight 1.1Lbs
- Clamping voltage on selected models
- ANSI C57.13 and C12.20 Standards

\*Specifications subject to change without notice





# BL – 5 Series Dimensions



**Outside Dimensions**  
**5.83 in X 4.37 in**

**Inside Dimensions**  
**3.50 in X 2.00 in**

# BL-5 Series Split-Core CT's

Byram Laboratories BL-5 Series



The BL-5 Series provides precision measurement for sub-metering, controls and energy management without dismantling the main line. Ergonomically designed with secured latches and keying holes, this CT handles medium to high load while retaining compact size.

## Features

- 2.0" x 3.5" window opening (ID)
- Double secured latches per side & keying holes
- Built-in tabs for easy removal and installation
- Rigid housing case with UL 94V-0 durable plastic
- Ergonomically designed with no exposed metals
- 8-32 screw terminals (Type A)
- Pigtail black/white wire leads (Type B)

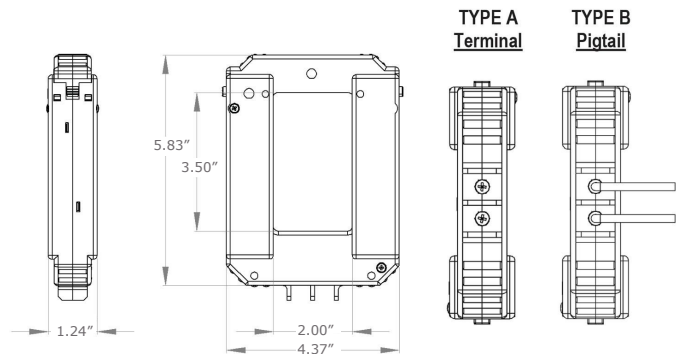
## Applications

- Energy and sub-metering products
- Electrical load monitoring
- Network equipment
- Instruments and sensors
- Control systems
- Go GREEN initiatives

## Specifications

- Standard Input Current 200 - 1000A
- Frequency 50Hz - 400Hz
- Custom Design Turns-Ratio available
- Standard accuracy 0.5 (Varied by models)
- Approximate weight 1.7Lbs
- Clamping voltage on selected models
- ANSI C57.13 and C12.20 Standards

Specifications subject to change without notice



Part Number	Byram Model	Input Rating	Output
1C2269	BL-5-200-RA005	200A	5A
1C2268	BL-5-400-RA005	400A	5A
1C1417	BL-5-600-RA005	600A	5A
1C1479	BL-5-800-RA005	800A	5A
1C1408	BL-5-1000-RA005	1000A	5A

\*Additional options available, please call Byram Laboratories for further assistance.

# Byram Laboratories BL-5 Series Split-Core Current Transformer (200:5)

Byram Laboratories BL-5 Series

# \$236.00

The BL-5 Series provides precision measurement for sub-metering, controls and energy management without dismantling the main line. Ergonomically designed with secured latches and keying holes, this CT handles medium to high load while retaining compact size.

Part Number	Byram Model	Window Opening	Input Rating	Output	Burden
1C2269	BL-5-200-RA005	2.0" x 3.5"	200A	5A	N/A

## FEATURES

- 2.0" x 3.5" window opening (ID)
- Double secured latches per side & keying holes
- Built-in tabs for easy removal and installation
- Rigid housing case with UL 94V-0 durable plastic
- Ergonomically designed with no exposed metals
- 8-32 screw terminals (TYPE A)
- Pigtail black/white wire leads (TYPE B)

## APPLICATIONS

- Energy and sub-metering products
- Electrical load monitoring
- Network equipment
- Instruments and sensors
- Control systems
- Go GREEN initiatives

## SPECIFICATIONS

- Standard Input Current 200-1000A
- Frequency 50Hz — 400Hz
- Custom design Turns-Ratio available
- Standard accuracy 0.5 (Varied by models)
- Approximate weight 1.7Lbs
- Clamping voltage on selected models
- ANSI C57.13 and C12.20 Standards

\*Specifications subject to change without notice





# Byram Laboratories BL-5 Series Split-Core Current Transformer (400:5)

Byram Laboratories BL-5 Series

# \$236.00

The BL-5 Series provides precision measurement for sub-metering, controls and energy management without dismantling the main line. Ergonomically designed with secured latches and keying holes, this CT handles medium to high load while retaining compact size.

Part Number	Byram Model	Window Opening	Input Rating	Output	Burden
1C2268	BL-5-400-RA005	2.0" x 3.5"	400A	5A	2.25

## FEATURES

- 2.0" x 3.5" window opening (ID)
- Double secured latches per side & keying holes
- Built-in tabs for easy removal and installation
- Rigid housing case with UL 94V-0 durable plastic
- Ergonomically designed with no exposed metals
- 8-32 screw terminals (TYPE A)
- Pigtail black/white wire leads (TYPE B)

## APPLICATIONS

- Energy and sub-metering products
- Electrical load monitoring
- Network equipment
- Instruments and sensors
- Control systems
- Go GREEN initiatives

## SPECIFICATIONS

- Standard Input Current 200-1000A
- Frequency 50Hz — 400Hz
- Custom design Turns-Ratio available
- Standard accuracy 0.5 (Varied by models)
- Approximate weight 1.7Lbs
- Clamping voltage on selected models
- ANSI C57.13 and C12.20 Standards

\*Specifications subject to change without notice





# Byram Laboratories BL-5 Series Split-Core Current Transformer (600:5)

Byram Laboratories BL-5 Series

# \$236.00

The BL-5 Series provides precision measurement for sub-metering, controls and energy management without dismantling the main line. Ergonomically designed with secured latches and keying holes, this CT handles medium to high load while retaining compact size.

Part Number	Byram Model	Window Opening	Input Rating	Output	Burden
1C1417	BL-5-600-RA005	2.0" x 3.5"	600A	5A	2.75

## FEATURES

- 2.0" x 3.5" window opening (ID)
- Double secured latches per side & keying holes
- Built-in tabs for easy removal and installation
- Rigid housing case with UL 94V-0 durable plastic
- Ergonomically designed with no exposed metals
- 8-32 screw terminals (TYPE A)
- Pigtail black/white wire leads (TYPE B)

## APPLICATIONS

- Energy and sub-metering products
- Electrical load monitoring
- Network equipment
- Instruments and sensors
- Control systems
- Go GREEN initiatives

## SPECIFICATIONS

- Standard Input Current 200-1000A
- Frequency 50Hz — 400Hz
- Custom design Turns-Ratio available
- Standard accuracy 0.5 (Varied by models)
- Approximate weight 1.7Lbs
- Clamping voltage on selected models
- ANSI C57.13 and C12.20 Standards

\*Specifications subject to change without notice



# Byram Laboratories BL-5 Series Split-Core Current Transformer (800:5)

Byram Laboratories BL-5 Series

# \$236.00

The BL-5 Series provides precision measurement for sub-metering, controls and energy management without dismantling the main line. Ergonomically designed with secured latches and keying holes, this CT handles medium to high load while retaining compact size.

Part Number	Byram Model	Window Opening	Input Rating	Output	Burden
1C1479	BL-5-800-RA005	2.0" x 3.5"	800A	5A	3.75

## FEATURES

- 2.0" x 3.5" window opening (ID)
- Double secured latches per side & keying holes
- Built-in tabs for easy removal and installation
- Rigid housing case with UL 94V-0 durable plastic
- Ergonomically designed with no exposed metals
- 8-32 screw terminals (TYPE A)
- Pigtail black/white wire leads (TYPE B)

## APPLICATIONS

- Energy and sub-metering products
- Electrical load monitoring
- Network equipment
- Instruments and sensors
- Control systems
- Go GREEN initiatives

## SPECIFICATIONS

- Standard Input Current 200-1000A
- Frequency 50Hz — 400Hz
- Custom design Turns-Ratio available
- Standard accuracy 0.5 (Varied by models)
- Approximate weight 1.7Lbs
- Clamping voltage on selected models
- ANSI C57.13 and C12.20 Standards

\*Specifications subject to change without notice



# Byram Laboratories BL-5 Series Split-Core Current Transformer (1000:5)

Byram Laboratories BL-5 Series

# \$236.00

The BL-5 Series provides precision measurement for sub-metering, controls and energy management without dismantling the main line. Ergonomically designed with secured latches and keying holes, this CT handles medium to high load while retaining compact size.

Part Number	Byram Model	Window Opening	Input Rating	Output	Burden
1C1408	BL-5-1000-RA005	2.0" x 3.5"	1000A	5A	4.50

## FEATURES

- 2.0" x 3.5" window opening (ID)
- Double secured latches per side & keying holes
- Built-in tabs for easy removal and installation
- Rigid housing case with UL 94V-0 durable plastic
- Ergonomically designed with no exposed metals
- 8-32 screw terminals (TYPE A)
- Pigtail black/white wire leads (TYPE B)

## APPLICATIONS

- Energy and sub-metering products
- Electrical load monitoring
- Network equipment
- Instruments and sensors
- Control systems
- Go GREEN initiatives

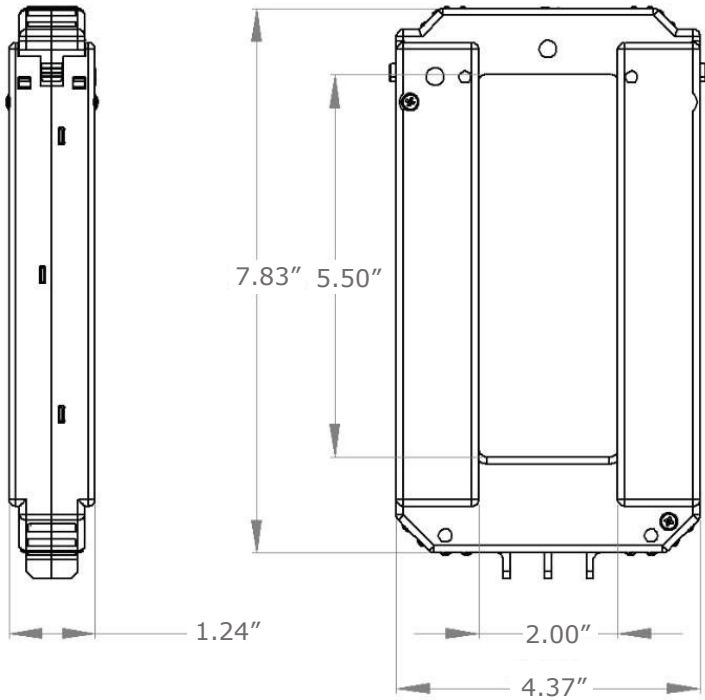
## SPECIFICATIONS

- Standard Input Current 200-1000A
- Frequency 50Hz — 400Hz
- Custom design Turns-Ratio available
- Standard accuracy 0.5 (Varied by models)
- Approximate weight 1.7Lbs
- Clamping voltage on selected models
- ANSI C57.13 and C12.20 Standards

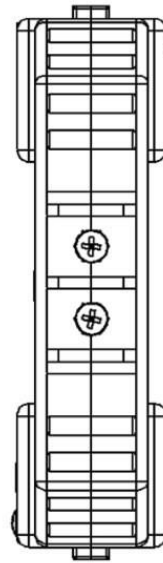
\*Specifications subject to change without notice



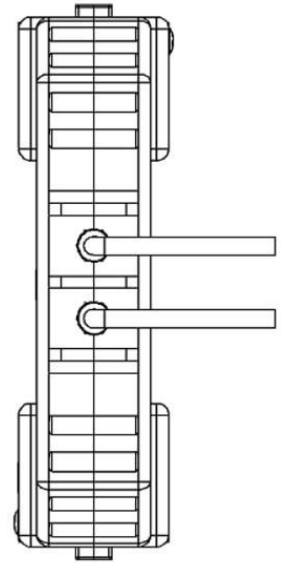
# BL – 6 Series Dimensions



**TYPE A**  
**Terminal**



**TYPE B**  
**Pigtail**



**Outside Dimensions**  
**7.83 in X 4.37 in**

**Inside Dimensions**  
**5.50 in X 2.00 in**

# BL-6 Series Split-Core CT's

Byram Laboratories BL-6 Series

The BL-6 Series provides precision measurement for sub-metering, controls and energy management without dismantling the main line. Ergonomically designed with secured latches and keying holes, this CT has the largest ID of BL Series making suitable for high load applications.

## Features

- 2.0" x 5.5" window opening (ID)
- Double secured latches per side & keying holes
- Built-in tabs for easy removal and installation
- Rigid housing case with UL 94V-0 durable plastic
- Ergonomically designed with no exposed metals
- 8-32 screw terminals (Type A)
- Pigtail black/white wire leads (Type B)

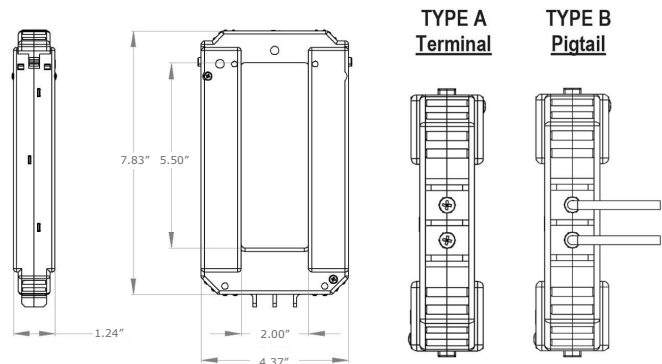
## Applications

- Energy and sub-metering products
- Electrical load monitoring
- Network equipment
- Instruments and sensors
- Control systems
- Go GREEN initiatives

## Specifications

- Standard Input Current 300 - 2000A
- Frequency 50Hz - 400Hz
- Custom Design Turns-Ratio available
- Standard accuracy 0.75 (Varied by models)
- Approximate weight 2.2Lbs
- Clamping voltage on selected models
- ANSI C57.13 and C12.20 Standards

Specifications subject to change without notice



Part Number	Byram Model	Input Rating	Output
1C2688	BL-6-600-RA005	600A	5A
1C2689	BL-6-800-RA005	800A	5A
1C2153	BL-6-1200-RA005	1200A	5A
1C2690	BL-6-1600-RA005	1600A	5A
1C2691	BL-6-2000-RA005	2000A	5A

\*Additional options available, please call Byram Laboratories for further assistance.



# Byram Laboratories BL-6 Series Split-Core Current Transformer (600:5)

Byram Laboratories BL-6 Series

# \$296.00

The BL-6 Series provides precision measurement for sub-metering, controls and energy management without dismantling the main line. Ergonomically designed with secured latches and keying holes, this CT has the largest ID of the BL Series making it suitable for high load applications.

Part Number	Byram Model	Window Opening	Input Rating	Output	Burden
1C2688	BL-6-600-RA005	2.0" x 5.5"	600A	5A	N/A

## FEATURES

- 2.0" x 5.5" window opening (ID)
- Double secured latches per side and keying holes
- Built-in tabs for easy removal and installation
- Rigid housing case with UL 94V-0 durable plastic
- Ergonomically designed with no exposed metals
- 8-32 screw terminals (TYPE A)
- Pigtail black/white wire leads (TYPE B)

## APPLICATIONS

- Energy and sub-metering products
- Electrical load monitoring
- Network equipment
- Instruments and sensors
- Control systems
- Go GREEN initiatives

## SPECIFICATIONS

- Standard Input Current 300-2000A
- Frequency 50Hz — 400Hz
- Custom design Turns-Ratio available
- Standard accuracy 0.75 (Varied by models)
- Approximate weight 2.2Lbs
- Clamping voltage on selected models
- ANSI C57.13 and C12.20 Standards

\*Specifications subject to change without notice





# Byram Laboratories BL-6 Series Split-Core Current Transformer (800:5)

Byram Laboratories BL-6 Series

# \$296.00

The BL-6 Series provides precision measurement for sub-metering, controls and energy management without dismantling the main line. Ergonomically designed with secured latches and keying holes, this CT has the largest ID of the BL Series making it suitable for high load applications.

Part Number	Byram Model	Window Opening	Input Rating	Output	Burden
1C2689	BL-6-800-RA005	2.0" x 5.5"	800A	5A	4.00

## FEATURES

- 2.0" x 5.5" window opening (ID)
- Double secured latches per side and keying holes
- Built-in tabs for easy removal and installation
- Rigid housing case with UL 94V-0 durable plastic
- Ergonomically designed with no exposed metals
- 8-32 screw terminals (TYPE A)
- Pigtail black/white wire leads (TYPE B)

## APPLICATIONS

- Energy and sub-metering products
- Electrical load monitoring
- Network equipment
- Instruments and sensors
- Control systems
- Go GREEN initiatives

## SPECIFICATIONS

- Standard Input Current 300-2000A
- Frequency 50Hz — 400Hz
- Custom design Turns-Ratio available
- Standard accuracy 0.75 (Varied by models)
- Approximate weight 2.2Lbs
- Clamping voltage on selected models
- ANSI C57.13 and C12.20 Standards

\*Specifications subject to change without notice



# Byram Laboratories BL-6 Series Split-Core Current Transformer (1200:5)

Byram Laboratories BL-6 Series

# \$296.00

The BL-6 Series provides precision measurement for sub-metering, controls and energy management without dismantling the main line. Ergonomically designed with secured latches and keying holes, this CT has the largest ID of the BL Series making it suitable for high load applications.

Part Number	Byram Model	Window Opening	Input Rating	Output	Burden
1C2153	BL-6-1200-RA005	2.0" x 5.5"	1200A	5A	5.25

## FEATURES

- 2.0" x 5.5" window opening (ID)
- Double secured latches per side and keying holes
- Built-in tabs for easy removal and installation
- Rigid housing case with UL 94V-0 durable plastic
- Ergonomically designed with no exposed metals
- 8-32 screw terminals (TYPE A)
- Pigtail black/white wire leads (TYPE B)

## APPLICATIONS

- Energy and sub-metering products
- Electrical load monitoring
- Network equipment
- Instruments and sensors
- Control systems
- Go GREEN initiatives

## SPECIFICATIONS

- Standard Input Current 300-2000A
- Frequency 50Hz — 400Hz
- Custom design Turns-Ratio available
- Standard accuracy 0.75 (Varied by models)
- Approximate weight 2.2Lbs
- Clamping voltage on selected models
- ANSI C57.13 and C12.20 Standards

\*Specifications subject to change without notice



# Byram Laboratories BL-6 Series Split-Core Current Transformer (1600:5)

Byram Laboratories BL-6 Series

# \$296.00

The BL-6 Series provides precision measurement for sub-metering, controls and energy management without dismantling the main line. Ergonomically designed with secured latches and keying holes, this CT has the largest ID of the BL Series making it suitable for high load applications.

Part Number	Byram Model	Window Opening	Input Rating	Output	Burden
1C2690	BL-6-1600-RA005	2.0" x 5.5"	1600A	5A	6.25

## FEATURES

- 2.0" x 5.5" window opening (ID)
- Double secured latches per side and keying holes
- Built-in tabs for easy removal and installation
- Rigid housing case with UL 94V-0 durable plastic
- Ergonomically designed with no exposed metals
- 8-32 screw terminals (TYPE A)
- Pigtail black/white wire leads (TYPE B)

## APPLICATIONS

- Energy and sub-metering products
- Electrical load monitoring
- Network equipment
- Instruments and sensors
- Control systems
- Go GREEN initiatives

## SPECIFICATIONS

- Standard Input Current 300-2000A
- Frequency 50Hz — 400Hz
- Custom design Turns-Ratio available
- Standard accuracy 0.75 (Varied by models)
- Approximate weight 2.2Lbs
- Clamping voltage on selected models
- ANSI C57.13 and C12.20 Standards

\*Specifications subject to change without notice



# Byram Laboratories BL-6 Series Split-Core Current Transformer (2000:5)

Byram Laboratories BL-6 Series

# \$296.00

The BL-6 Series provides precision measurement for sub-metering, controls and energy management without dismantling the main line. Ergonomically designed with secured latches and keying holes, this CT has the largest ID of the BL Series making it suitable for high load applications.

Part Number	Byram Model	Window Opening	Input Rating	Output	Burden
1C2691	BL-6-2000-RA005	2.0" x 5.5"	2000A	5A	8.00

## FEATURES

- 2.0" x 5.5" window opening (ID)
- Double secured latches per side and keying holes
- Built-in tabs for easy removal and installation
- Rigid housing case with UL 94V-0 durable plastic
- Ergonomically designed with no exposed metals
- 8-32 screw terminals (TYPE A)
- Pigtail black/white wire leads (TYPE B)

## APPLICATIONS

- Energy and sub-metering products
- Electrical load monitoring
- Network equipment
- Instruments and sensors
- Control systems
- Go GREEN initiatives

## SPECIFICATIONS

- Standard Input Current 300-2000A
- Frequency 50Hz — 400Hz
- Custom design Turns-Ratio available
- Standard accuracy 0.75 (Varied by models)
- Approximate weight 2.2Lbs
- Clamping voltage on selected models
- ANSI C57.13 and C12.20 Standards

\*Specifications subject to change without notice



# **CERTIFICATE**

**TUV USA Inc.**

hereby certifies that

**Byram Laboratories, Inc.**  
**1 Columbia Road**  
**Branchburg, NJ 08876 USA**

has established and applies a quality system for

**Calibration and Repair of Mechanical, Electronic and  
Electrical Measuring Equipment**

Proof has been furnished that the requirements according to

**ISO 9001:2008**

are fulfilled.

Further clarifications regarding the scope of this certificate and the applicability of  
ISO 9001:2008 requirements may be obtained by consulting the organization.

**Certificate Registration No.**

**12-1109**

**Effective: February 17, 2013**

**Expires: February 16, 2016**

*Diana L. Sweeney*  
Quality Systems Division

**Date of issue: February 17, 2013**



TGA-ZQ-37-95-00-0



Also Available From Byram...

## ◆ YOKOGAWA Analog Panel Meters

- DIN Meters
- Stylist line Analog Panel Meters
- New Big Look Analog Panel meters
- Horizon line Analog Panel Meters
- 185 Edgewise Series
- ToughMeter



## ◆ YOKOGAWA Digital Panel Meters

- Model PR300 Power Meter
- PROPLUS
- 800 Plus Universal Digital Meter
- Single Function Power Series
- Dual Function Power Series
- Triple Display Multifunction



## ◆ YOKOGAWA Switchboard Meters

- Analog Switchboard Meters
- Digital Switchboard Meters
- Synchroscope Switchboard Meters
- Miniature Switchboards
- AC Hour Meters
- Power Factor Switchboards



## Simpson® Digital Meters

- Mini Digital Panel meters
- MiniMax Digital Panel meters
- Falcon Series
- 2800 Series
- GIMA Series
- Temperature Meters

