

MODEL 4000

Surface-Mount Kit

- 20 Ga CRS Enclosure
- Removable Access Panel
- Support Brackets
- Durable Powder Coat Finish

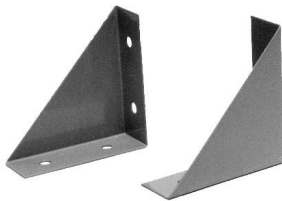


DESCRIPTION

The **Model 4000 Surface-Mounting Kit** makes it easy to install the following Time Mark Liquid Level Controllers: Models **403, 404, 4042, 4052, 4062** and **408**.

This 20 gauge steel enclosure features a removable top panel for easy access to connections. The mounting kit comes complete with everything you need, including steel support brackets. Designed for applications that require surface-mounting of our Liquid Level Controls.

Steel Mounting Brackets



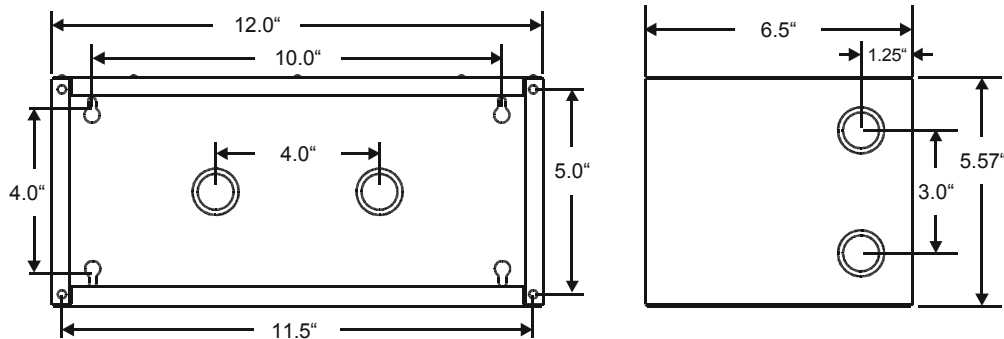
SPECIFICATIONS

Model	4000
Hardware	4 - #10 bracket mounting screws 7 - #8-32 screws & lock washers
Enclosure Material	20 gauge steel, powder-coated finish
Knock-outs	8 - 1/2" and 3/4" conduit fitting
Weight	3.4 lbs

Removable Access Panel



DIMENSIONS



Telephone: Main - (908) 252-0852
Sales - (800) 766-1212
Fax: (908) 252-0822

E-mail: sales@byramlabs.com
Internet: <http://www.byramlabs.com>



TIME MARK
CORPORATION

1 Columbia Road
Branchburg, NJ 08876

Doc No. 87A473 12/00
© 2000 TIME MARK CORPORATION

TIME MARK is a division of  **AEMT, Inc.**

Distributed by Byram Laboratories