

NEW

RSC-232 COMMUNICATION CONVERTER



With Automatic Data Detection

- **Converts RS-232 PC signals into RS-422/RS-485 communication signals**
- **Overcomes control problem with internal automatic RTS signal**
 - **Built-in power supply**
- **LED indicators for communication status**

 **SATEC**
Powerful Solutions

NEW

RSC-232 COMMUNICATION CONVERTER

RS-422
RS-485



RS-232

Supports 5 types of operation:

- point-to-point/4-wire full duplex
- point-to-point/2-wire half duplex
- multidrop/4-wire full duplex
- multidrop/2-wire half duplex
- simplex/transmit, receive only

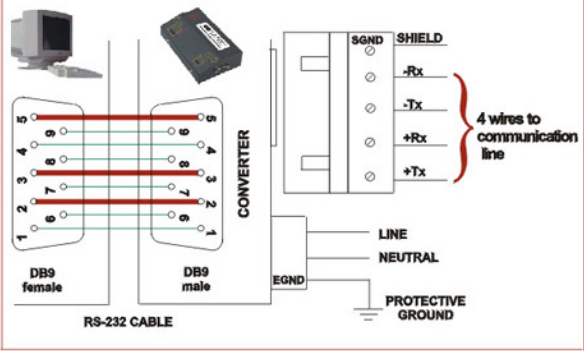
LED indicators:

- Power
- RS-232 TXD
- RS-232 RXD
- RS-422/RS-485 TX enable
- RS-422/RS-485 TXD enable
- RS-422/RS-485 RXD enable

- Ideal for controlling devices over large distances
 - Allows communication with several devices via 1 link (point to multipoint)
- Enables multidrop information retrieval of data from up to 31 Powermeters
 - User selectable modes and baud rates
 - Isolation protection up to 2000 V RMS
 - AC/DC or low DC power supply
 - Easy dip switch setting

SATEC, Ltd.

Wiring Example



Ordering Information

Communications Converter Rs232 - -

- Mounting**
- Table Top * T
 - Din Mounting D
 - Wall Mounting W

- Power Supply**
- ACDC* 85 - 264V AC and 110 - 290V DC
 - 1DC 10 - 18V DC
 - 2DC 18 - 36V DC
 - 3DC 36 - 72V DC

Distributor

BYRAM LABS
AN ENERGY TECHNOLOGY COMPANY