

TST SERIES

Specification Sheet

UL 1449 3rd Edition Type 4

Surge Protection Device

The TST Series of SPDs (surge protection devices) are designed to protect sensitive electronic equipment from the harmful effects of transients and RFI/EMI interference. Models are configured for either parallel or series installation or can be either din rail or wall mounted. Units are rated as type 4 SPDs for application in type 2 locations making the TST Series the ideal choice for incorporation into control cabinets to protect PLCs, irrigation systems, Alarm and Security systems, POS terminals, CNC Machinery, and most other sensitive microelectronic based equipment.

TST units are self-contained in rugged plastic enclosures and employ twenty millimeter (20mm) MOVs as their key suppression elements. A green LED is provided as a status indicator identifying power on. Units are line load sensitive and interface with the incoming power cables via screw terminals (barrier strips) capable of handling conductors from # 22 to #8 AWG, depending upon application and current ratings.

It is recommended that TST units be interfaced directly between incoming power cables and located as close as possible to the equipment requiring protection. Units are intended for incorporation in a suitable enclosure and are available with an optional four pair (eight wire) category 5E protector or with a set of dry contacts (NC/NC) integrated into the unit's cover/lid.



FEATURES

Type 4 SPD for Type 2 Applications

All Mode Protection: (L-N, L-G & N-G)

Solid State MOV (20mm) Components

$I_n = 3kA$ (nominal discharge current)

20 And 40 kA Rated Units

UL 1283 RFI/EMI Filtering

Green LED Status Indicator

Rugged Plastic (UL Listed) Enclosures

15 And 30 Amp Models Available

Service Voltages: 24V, 48V, 120V and 250V

100kA Symmetrical Rated With Class T Fuses

10 Year Warranty

Optional Dry Contact and Data Protection Available

(Consult Factory for Details)

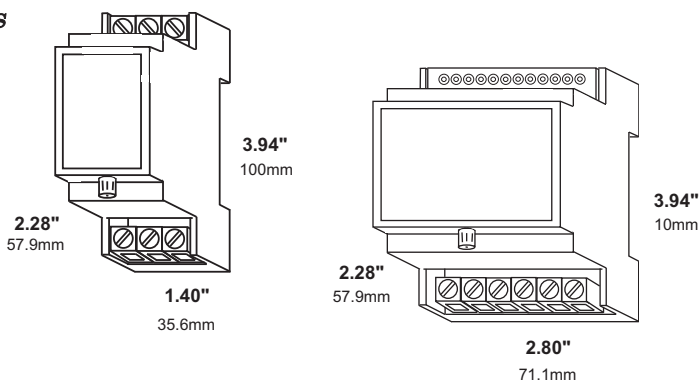
Specifications

ELECTRICAL

- ◆ *Type 4 SPD for Type 2 Applications*
- ◆ *Line/Service Voltage: 24Vdc, 48Vdc, 120Vac or 250Vac*
- ◆ *Maximum Load Current: 15 or 30 Amps, depends on unit configuration*
- ◆ *Maximum Surge Current Ratings: 20-40kA, depends on unit configuration*
- ◆ *100kAIC Rated with appropriate Class T Fuses*
- ◆ *I_n is 3kA (nominal discharge current)*
- ◆ *Maximum RFI/EMI Filter Attenuation: 34db @ 495kHz*
- ◆ *Operating Temperature Range: -40° to 85°C*
- ◆ *Humidity: 5% to 95% non-condensing*
- ◆ *Terminals Strips Accommodate #22 - #14 AWG at 15 Amps and # 16 - # 8 for 30 Amps Models*

MECHANICAL

- ◆ **Application:** *Type 4 SPD for Type 2 Applications*
- ◆ **Enclosure:** *Plastic (UL94-VO) Polycarbonate*
- ◆ **Weight:** *Small Case: 8oz (227g)
Large Case: 15oz (425g)*
- ◆ **Dimensions:** *Small Case 3.94"H 1.4"W 2.28"D
Large Case 3.94"H 2.8"W 2.28"D*
- ◆ **Mounting:** *Din Rail or Wall Mount*



NOTE: Consult Factory For Additional Packages & Protection Capabilities

ORDERING INFORMATION

Model Number	Case Style	Current Rating	Service Voltage	Surge Rating	Voltage Protection Rating (VPR)				
					L1-N	L1-G	L2-N	N-G	L1-L2
TST020/024-2P-F-1/15A	Small	15 Amps	24 Volts	20kA	180	180		180	
TST020/048-2P-F-1/15A	Small	15 Amps	48 Volts	20kA	190	190		190	
TST040/024-2P-F-1/30A	Large	30 Amps	24 Volts	40kA	180	180		180	
TST040/048-2P-F-1/30A	Large	30 Amps	48 Volts	40kA	190	190		190	

ETL Listed Models

TST020/120-10-F-1/15A	Small	15 Amps	120 Volts	20kA	600	600		600	
TST020/120-10-F-1/30A	Small	30 Amps	120 Volts	20kA	600	600		600	
TST040/120-10-F-1/15A	Large	15 Amps	120 Volts	40kA	500	500		600	
TST040/250-10-F-1/15A	Large	15 Amps	250 Volts	40kA	800	800		800	
TST040/120-10-F-1/30A	Large	30 Amps	120 Volts	40kA	500	500		600	
TST040/250-10-F-1/30A	Large	30 Amps	250 Volts	40kA	800	800		800	

VPR Ratings are based upon the 8x20μs test waveform at 6kV 3kA.

