

Heavy-Duty Residential/Commercial Surge Protective Device

CL320 SERIES

The CL320 Series Meter Based SPD is for use in 320 Amp continuous meter sockets and meets the current industry standards. The CL320 stops surges right at the electric meter before they can enter the building.

Units are equipped with SUNBRIGHT® diagnostics with 1000 MCD LEDs that are fully visible in the brightest sunlight and have proven reliable in the field for over 20 years.

All units contain short circuit and thermal fusing, a "smart sensing technology" that distinguishes between surges and overcurrent events. The product complies with all current and proposed safety requirements. The CL320 Series is a Type 1 Surge Protection Devices (SPD) that is Listed to UL 1449 3rd Edition 2009.

The integration of design, performance and safety features in the METER-TREATER makes it an ideal choice for Utility Power Quality Programs.

The Standard 10 Year Product Warranty is included. Additional warranty terms are available. An optional Consequential Warranty is also available.



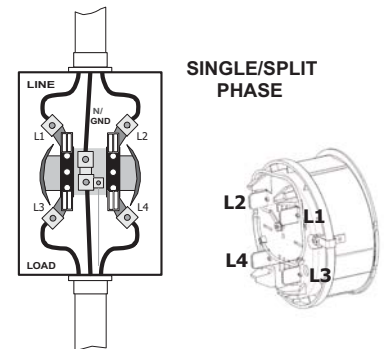
Rated for 320 Amp (400 MAX) Continuous Service

Product Specifications		Notes
Applied Voltage*	120/240 Vac	
Max Surge Current	120kA (60kA per phase)	
MCOV*	180 Volts	
Max Load Current*	320 Amps Continuous (400 MAX)	
Short Circuit Current* ¹	10k/25k RMS Symmetrical Amps	
Housing Rating	3R (UL 414) with UV inhibitors	
Product Weight	3 lbs.	
Product Dimensions	4.2" x 6.9" (2.45" installed depth)	
Connection Method	4 Heavy-Duty Machined Jaw Blades	
Fusing	Thermal and Short Circuit Fusing	
Operating Temperature*	-40 to +140 F (-40 to +60 C) ±10%	
Operating Frequency	50/60 Hz	
Operating Altitude	-200 ft. to +15,000 ft.	
Diagnostics	Red Status LED, SUNBRIGHT	
Safety Standards (Type 1 SPD)	UL 1449 3rd Ed. (Sept. 2009)	
VPR (Suppressed Voltage)*	600 Volts (8x20µs, 6kV/3kA)	
I _n *	20 kA (nominal discharge current)	

¹No external fusing used. Electric meter included.

*Required by UL 1449 3rd Edition

Installation



Dimensions

