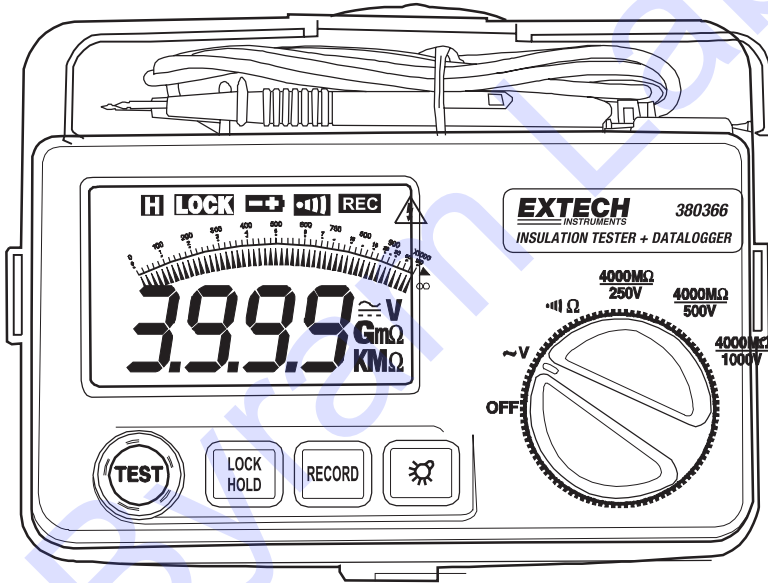


EXTECH

INSTRUMENTS

Autoranging Datalogging Insulation Tester (Megohmmeter) with PC Interface

Model 380366



Introduction

Congratulations on your purchase of the Extech 380366 Datalogging Insulation Tester. The 380366 measures insulation resistance to 4000MΩ and includes Continuity and Voltage tests. The built-in datalogger remotely stores approx. 16,000 readings for later transfer to a PC. The tester can also take and record readings to a PC in real time. This professional tester, with proper care, will provide years of safe reliable service.

Safety

1. Circuits under test must be de-energized and isolated before connections are made (except for voltage measurements).
2. Circuit connections must not be touched during a test. Use extreme caution when working near bare conductors and bus bars. Accidental contact with conductors could result in electrical shock.
3. Use caution when working near voltages above 60VDC or 30VACrms.
4. After insulation tests, capacitors must be discharged.
5. Test leads (including alligator clips) must be in good working order, clean and without broken or cracked insulation.
6. When servicing, use only specified replacement parts.

International Safety Symbols



Caution, refer to this manual before using this meter



Dangerous Voltages



Meter is protected throughout by double or reinforced insulation

Specifications

General specifications

Display	Backlit 3-3/4 digit (4000 count) LCD with analog indicator
Sampling rate	2.5 samples/sec. (digital); 10 samples/sec. (analog)
Audible Continuity	Low resistance range with audible continuity < 40Ω
Over range indicator	"OL" displayed when measurement exceeds range limits
Low battery indicator	"- +" symbol displayed when battery voltage is low
Datalogger memory	16,000 readings
Datalogger Sample Rate	Programmable: 1 to 65,400 sec/sample or single manual record
Power source	Eight 1.5V AA cells
Power consumption	20 to 90mA depending upon function (40 hours typical)
Environmental	CAT III; Altitude: 2000 meters; for indoor use only
Operating conditions	32 to 104°F (0 to 40°C); < 80% RH
Storage conditions	14 to 140°F (-10 to 60°C); < 80% RH
Dimensions/Weight	7.5 x 5.5 x 3" (190 x 140 x 77mm) / 2 lbs (900g)

Environmental specifications

- Installation Category III 600V
- Pollution Degree 2
- Altitude up to 2000 meters
- Intended for indoor use only

Range Specifications

Resistance / Audible Continuity

Range	Resolution	Accuracy	Max. open circuit voltage	Overload Protection
400 Ω	0.1 Ω	±1%rdg + 5d	12.8V	220Vrms
Audible tone when Resistance <40Ω; Short circuit current: 280mA (min. 200mA)				

AC Voltage (40 to 500Hz)

Range	Resolution	Accuracy	Input impedance	Overload Protect.
600VAC	1V	±1.5%rdg + 3d	4.5MΩ	750Vrms

Megohm (Auto Range)

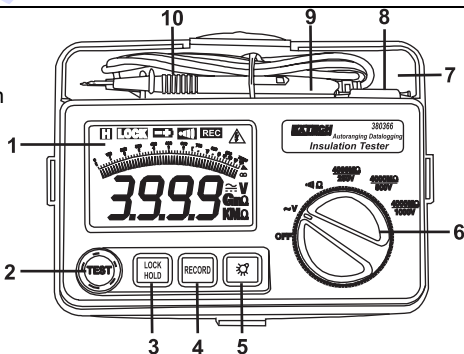
Voltage	Ranges	Maximum Resolution	Resistance Accuracy	Voltage Accuracy
250V	4, 40, 400, 4000MΩ	1kΩ	±3%rdg + 5d (<2000MΩ)	+20% ~ -0%
500V			±5%rdg + 5d (>2000MΩ)	+20% ~ -0%
1000V				+10% ~ -0%

Voltage	Range	1mA Test Current	Short Circuit Current
250V	4000MΩ	@250KΩ	< 1.5mA
500V		@500KΩ	
1000V		@1MΩ	

Note: Accuracies are specified as % reading + digits at (73°F ± 9°F) 23°C ±5°C < 80% RH

Meter Description

1. LCD Display
2. Megohmmeter TEST pushbutton
3. Test LOCK and DATA HOLD button
4. RECORD button
5. LCD Backlight / Wake button
6. Function select switch
7. Storage compartment
8. RS-232 interface jack
9. Test Lead input jacks (HI & LO)
10. Test Leads



Operation

Warning

Ensure that the circuit under test does not include components that can be damaged by 1000VDC; such devices include power factor correction capacitors, low voltage mineral insulated cables, electronic light dimmers, and ballasts/starters for fluorescent lamps.

Connecting Test Leads

For all functions (Megohmmeter, Resistance, Continuity and AC Voltage), connect the red test lead to the HI terminal and the black lead to the LO terminal.

Test Lead Check

1. Connect the red test lead to the HI input terminal; black lead to the LO terminal.
2. Set the rotary switch to the resistance/ continuity position (\bullet) Ω)
3. Touch the test lead tips together. Resistance should be less than 1Ω and the audio tone should sound.
4. With the leads not touching, the display should read “-OL-“. (over range).
5. If any readings are displayed other than the readings just described, the test leads should be considered faulty and must be replaced before using the meter. Failure to do so could result in damage to equipment and electrical shock.

Insulation Resistance Measurements (Megohmmeter Tests)

Warning: Do not perform Insulation Resistance measurements if AC Voltage is present on circuit under test.


1. Connect the red test lead to the HI input terminal; black lead to the LO terminal.
2. Set the rotary switch to the desired function.
3. Connect the tips of the test leads to the equipment under test.
4. Press and hold down the red TEST button. Release the test button to stop the test. The meter will then hold the resistance reading. This is indicated by the H icon in the upper left corner of the display.
5. To clear the display, press the LOCK/HOLD button twice.

Note that the charge stored on the device under test will be automatically discharged when the testing process is finished

3-Minute Test

For hands-free operation, use the Test Lock feature.

1. Connect the red test lead to the HI input terminal; black lead to the LO terminal
2. Set the rotary switch to the desired function.
3. Connect the tips of the test leads to the equipment under test.
4. Press the LOCK button. The LOCK icon will be displayed. Press the red TEST button. A 3-minute continuous test will begin. The red TEST button can be pressed at any time to end the test. If the TEST button is not pressed the meter automatically stops the test after 3 minutes. The meter will then hold the resistance reading. This is indicated by the H icon in the upper left corner of the display.
5. To clear the display, press the LOCK/HOLD button twice.

Note: The  symbol will appear in the upper right corner of the display and an audible tone will sound whenever the high voltage is applied to the test leads.

Analog Bargraph Display

The bargraph can indicate up to $10G\Omega$. When the measured value is between $4G\Omega$ and $10G\Omega$, the LCD displays "-HI-". When the measured value is higher than $10G\Omega$ the LCD displays "-OL-".

Low Resistance and Audible Continuity Tests

WARNING

Do not run this test unless ACV = 0. Do not use this mode to check diodes.

1. Set the Rotary switch to the audible continuity/resistance position.
2. Connect the red test lead to the HI input terminal; black lead to the LO terminal.
3. Connect the tips of the test leads to both ends of the circuit under test and read the resistance on the LCD.
4. When the resistance of a circuit is less than approx. 40Ω an audible tone will sound.

AC Voltage Tests

1. Set the Rotary switch to the red ACV position.
2. Connect the red test lead to the HI terminal and the black test lead to the LO terminal.
3. Connect the other end of the test leads to the circuit under test.
4. Read the voltage value on the LCD.

Data Hold Function

The Data Hold function freezes the displayed reading. Data Hold works automatically on Insulation Resistance Measurements (Megohmmeter tests) but, for the other tests, the user must press the HOLD key to freeze the meter reading. Press HOLD again to exit the Data Hold mode.

Auto Power OFF Feature

After a 30-minute period of non-use, the meter automatically shuts down. This will conserve battery life. To wake the meter, press the Backlight button.


Note that the meter is not completely off until the function switch is set to the OFF position. Always turn the switch to the OFF position when not in use.

Built-in Datalogger

The meter can store approx. 16,000 readings in the built-in datalogger. Readings are grouped in 'SETS'. Each recording session constitutes a 'SET'. Recording a new set does not erase a previously recorded set.

The readings remain in the datalogger memory even when power to the tester is off (as long as the batteries are fresh). Readings can be transferred, at a later time, to a PC. Use the meter's RECORD button to operate the meter's Datalogger in the following ways:

a. Clearing Datalogger memory

1. Press and hold the RECORD button while turning the meter on.
2. Release the RECORD button when  (clear) appears on the display. The entire datalogger memory will now be erased.

b. Capturing one data point

Press the RECORD button for one second to capture one reading. The REC display icon will briefly appear at the top of the LCD and the large digits will flash the data point number (the recorded measurements are numbered). Each reading captured by this method is considered a Set.

c. Capturing a continuous stream of data points

1. Press and hold the RECORD button for approx. 3 seconds until a long tone is heard. The REC display icon will appear and remain on the display for as long as the recording session lasts.
2. To stop recording, press the RECORD button again. The REC indicator will switch off. Each group of readings captured in this manner is considered a Set.
3. Readings will be taken every 2 seconds (default sampling time). To change the sampling time, refer to the section 'Datalogger Software Mode'.

The following sections cover meter-to-PC data downloading & other PC interface features.

PC Interface

Minimum hardware requirements

486 PC or better with CD-ROM drive

Communications Settings

Baud Rate: 9600, Parity: None, Data bits: 8, Stop bits: 1

Connecting the meter to a PC

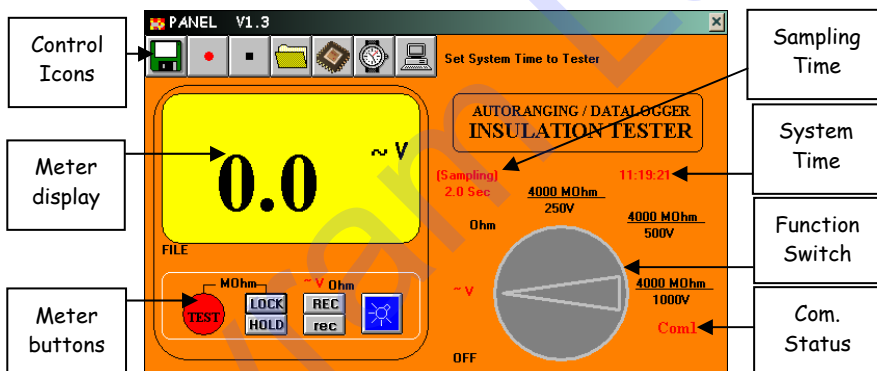
Connect one end of the supplied cable to the PC Com Port (DB9 connector) and the other end (infrared connector) to the top of the meter.

Installing Software (compatible operating systems: Windows™ 95, 98, 2000, Me, & XP)

1. Insert the supplied CD-ROM in the PC's CD-ROM drive.
2. The SETUP program will run automatically. If not, press the Windows™ START key and select RUN. Then type SETUP at the prompt and press the ENTER key.
3. Follow the on-screen instructions for the setup program.

Running the Software

1. Open the 'Insulate' program using the program icon.
2. Select PC communications port COM1 or COM2 when prompted.
3. The Program screen will appear as a facsimile of the meter's front panel (see below).



Data Acquisition and Datalogger modes

These two modes of operation, distinctly different, are explained in detail separately.

For the Data Acquisition mode of operation, the meter must be connected to the PC. In this mode, readings taken by the meter are displayed and stored on the PC.

In the Datalogger mode, the meter records data remotely then, at a later time, the meter is connected to the PC and the readings are transferred. Instructions for datalogging were covered in the previous section. Instructions for transferring data and navigating the software are given below.

Data Acquisition Software Mode

As explained above, the Data Acquisition feature allows the user to connect the meter to the PC and take and record readings simultaneously. With the meter connected to the PC and with the software running, follow the steps below:

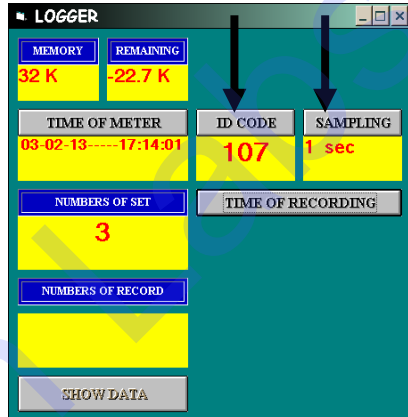
System Time Set

Click the computer icon from the row of Control Icons at the top of the main software screen. This is the SYSTEM TIME SET button. The PC system date and time will now be shared by the software program. Note that if your PC date and time are not set correctly, do so at this time. The system time will be shown on the main software screen.

Input ID Code

The ID Code is used as a reference number specific to a particular data acquisition session. The ID Code does not affect the software other than allowing the user to match a set of data to a unique ID. See the LOGGER screen at right

1. Select MEMORY from the OPTION menu on the main software screen.
2. Highlight the number in the ID Code field and type a new reference number. Valid numbers are 0 through 9999.
3. Click the ID Code button.



Sampling Time

The Sampling Time tells the software how often to log a reading. The sampling time can be set from 1 to 65,400 seconds. See the LOGGER screen at right.

1. Click on the 'wrist-watch' icon from the row of Control Icons on the main software screen.
2. Highlight the existing value in the SAMPLING field.
3. Type in the desired sampling time.
4. Click the Sampling button when finished.

Creating a File to store data

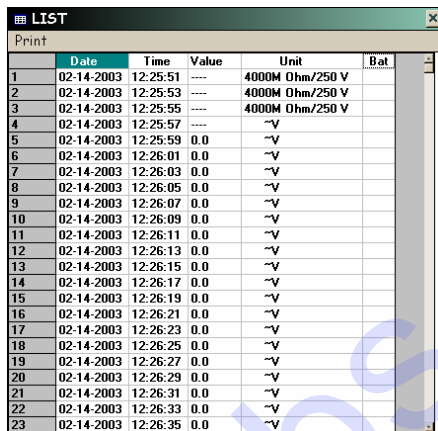
1. Click the 'floppy disk' icon from the row of Control Icons on the main software screen and type a unique filename when prompted.
2. This File can later be opened by clicking on the 'folder' icon (4th from left) from the row of Control Icons on the main software screen.
3. Saved files can be opened in spreadsheet programs as *.dat text files by opening the spreadsheet application, selecting OPEN FILE, choosing ALL FILE TYPES, and locating the file previously stored.

Start and Stop Recording

1. Click the 'red' icon (2nd from left) from the row of Control Icons on the main software screen to start recording. If a file has not been set up at this point, the software will prompt for a file name.
2. Data will now be logged every n seconds (where n is the programmed sampling time).
3. To stop recording, click the 'black' icon (3rd from left) in the row of Control Icons.

Open an existing Data File

1. Click on the 'folder' icon (4th from left) in the row of Control Icons on the main software screen.
2. Select a file from the list of previously stored files (if any).
3. When a file is opened, its data list will appear containing the date/time for each reading, measurement, unit of measure, and low battery indication (see diagram at right).
4. Select PRINT from the menu heading to print the data list.
5. To import the data to spreadsheet or other 3rd party application: Locate and open the file as a text file (*filename.dat*) using the FILE OPEN commands in the 3rd party application.



	Date	Time	Value	Unit	Bat
1	02-14-2003	12:25:51	----	4000M Ohm/250 V	
2	02-14-2003	12:25:53	----	4000M Ohm/250 V	
3	02-14-2003	12:25:55	----	4000M Ohm/250 V	
4	02-14-2003	12:25:57	----	--V	
5	02-14-2003	12:25:59	0.0	--V	
6	02-14-2003	12:26:01	0.0	--V	
7	02-14-2003	12:26:03	0.0	--V	
8	02-14-2003	12:26:05	0.0	--V	
9	02-14-2003	12:26:07	0.0	--V	
10	02-14-2003	12:26:09	0.0	--V	
11	02-14-2003	12:26:11	0.0	--V	
12	02-14-2003	12:26:13	0.0	--V	
13	02-14-2003	12:26:15	0.0	--V	
14	02-14-2003	12:26:17	0.0	--V	
15	02-14-2003	12:26:19	0.0	--V	
16	02-14-2003	12:26:21	0.0	--V	
17	02-14-2003	12:26:23	0.0	--V	
18	02-14-2003	12:26:25	0.0	--V	
19	02-14-2003	12:26:27	0.0	--V	
20	02-14-2003	12:26:29	0.0	--V	
21	02-14-2003	12:26:31	0.0	--V	
22	02-14-2003	12:26:33	0.0	--V	
23	02-14-2003	12:26:35	0.0	--V	

Soft-key Remote Control

Use the four front-panel keys on the main software screen to remotely control the meter:

TEST button

Click to start a megohmmeter test.

LOCK button

Click to lock the test for 3 minutes (read about the LOCK function earlier in this manual).

HOLD button

Click to freeze the displayed reading. The 'H' display icon will appear while the meter is in the Data Hold mode. Press HOLD again to exit this mode.

REC button

Click to put the meter into continuous recording mode. Readings will be kept in the open file. If a file is not open, the software will prompt for a file name.

rec button

Click to record one reading to the open file.

Backlight button

Click to activate the meter's display backlight.

Datalogger Software Mode

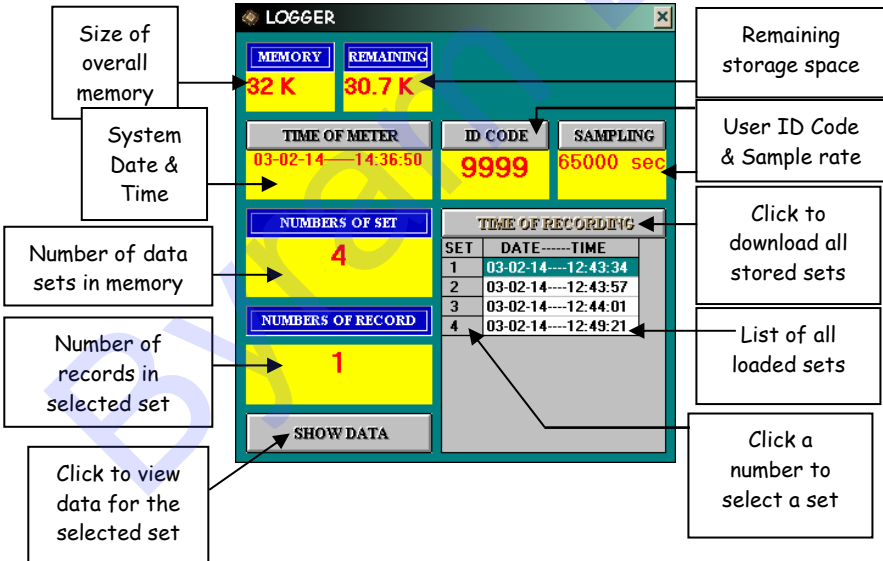
Datalogging

Instructions for storing data in the meter's built-in datalogger are provided in the 'Built-In Datalogger' section of this manual.

The following section details all of the datalogger functions available in the supplied software.

Datalogging Software Window (LOGGER)

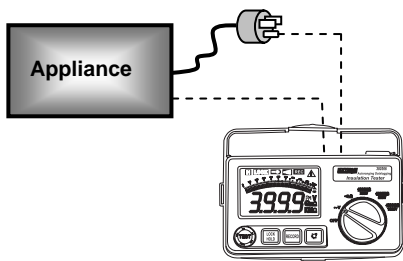
1. From the main software screen, click the 'datalog' icon (3rd from right) from the row of Control Icons. The LOGGER window will open (shown below).
2. To set the SAMPLING TIME (rate at which datalogger stores readings), type a number between 1 and 65,000 seconds in the SAMPLING field. Note that the meter must be connected to the PC in order for the Sampling Time to be transferred to the meter. Once the sampling time is set, the meter will datalog at the rate selected.
3. Click the TIME OF RECORDING button to download all of the data sets from the meter to the PC. The data lists will appear as shown on the logger window diagram below.
4. Select a set of data by clicking on the set number. The NUMBER OF SET field informs the user as to which set is selected. The NUMBER OF RECORDS field lets the user know the number of readings in the selected set.
5. The MEMORY and REMAINING fields inform the user as to the total memory capacity (32K) and the remaining memory.
6. Press the SHOW DATA button to view the raw data. Once the data opens for the selected set, the user can save or print the data by selecting SAVE or PRINT from the menu options.



Applications

Measuring Power Tools and Small Appliances

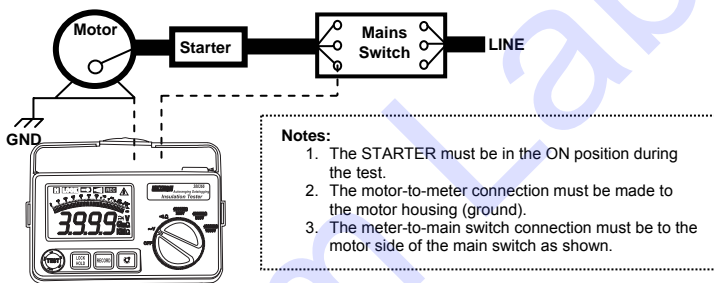
This section applies to any device under test that uses a line cord. For double insulated power tools, the meter's leads should be connected to the device's housing (chuck, blade, etc.) and the ground of the power cord. Refer to the diagram at right.



Testing AC Motors

Disconnect the motor from the line by disconnecting the wires from the motor terminals or opening the mains switch.

If the mains switch is opened, and the motor also has a motor-starter, then the starter must be held in the ON position. With the mains switch opened, the measured resistance will include the resistance of the motor wire and all other components between the motor and the main switch. If a weakness is indicated, the motor and other components should be checked individually. If the motor is disconnected at the motor terminals, connect one meter lead to the grounded motor housing and the other lead to one of the motor leads. Refer to diagram at below.

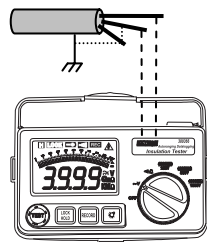


Testing DC Motors

1. Disconnect the motor from the line.
2. To test the brush rigging, field coils and armature, connect one meter lead to the grounded motor housing and the other lead to the brush on the commutator.
3. If the resistance measurement indicates a weakness, raise the brushes off of the commutator and separately test the armature, field coils and brush rigging (one at a time). Leave one lead connected to the grounded motor housing while testing the motor components. This also applies to DC Generators.

Testing Cables

1. Disconnect the cable under test from the line.
2. Disconnect the opposite end of the cable to avoid errors as a result of leakage from other equipment.
3. Check each conductor to ground and/or lead sheath by connecting one meter lead to ground and/or lead sheath and the other meter lead to each of the conductors in turn.
4. Check insulation resistance between conductors by connecting meter leads to conductors in pairs. Refer to diagram at right. In the diagram, note that the 3-conductor cable has two wires shorted to the ground shield. This two-wire/shield connection is then connected to one side of the meter. The remaining conductor is connected to the other side of the meter.



Application Note for Large Installations

In large wiring installations where the insulation of outlets is being tested, more than one insulation resistance measurement may have to be made to take into account parallel resistances. Divide large systems into subgroups and test subgroups individually. Also, in large installations, the capacitance of the insulation will be high, thereby taking longer to charge when being tested. Care must be taken not to finish a measurement until the insulation capacitance is fully charged (a steady, stable reading is an indication that this is the case). The charge stored in the insulation after a test will be discharged automatically when the test button is released. Be careful not to turn the range switch while the test button is pressed.

Maintenance

Battery Replacement

When the low battery symbol (- +) appears on the lower left side of the LCD the eight 1.5V AA batteries must be replaced.

1. Ensure that the meter is powered down and that the test leads are not connected
 2. Remove the two large Phillips head screws on the rear of the meter
 3. Remove the battery compartment cover
 4. Replace the eight AA batteries ensuring proper polarity
 5. Affix the rear cover and secure the rear screws
-

Cleaning

Periodically wipe the case with a dry cloth. Do not use solvents or abrasives to clean this instrument.

Repair and Calibration

Extech offers repair and calibration services for the products we sell. Extech also provides NIST certification for most products. Call the Customer Service Department for information on calibration services available for this product. Extech recommends that annual calibrations be performed to verify meter performance and accuracy.

Warranty

EXTECH INSTRUMENTS CORPORATION warrants the basic instrument to be free of defects in parts and workmanship for one year from date of shipment (a six month limited warranty applies on sensors and cables). If it should become necessary to return the instrument for service during or beyond the warranty period, contact the Customer Service Department at (781) 890-7440 EXTENSION 210 for authorization or visit www.extech.com for more information. **A Return Authorization (RA) number must be issued before any product is returned to Extech.** The sender is responsible for shipping charges, freight, insurance and proper packaging to prevent damage in transit. This warranty does not apply to defects resulting from action of the user such as misuse, improper wiring, operation outside of specification, improper maintenance or repair, or unauthorized modification. Extech specifically disclaims any implied warranties or merchantability or fitness for a specific purpose and will not be liable for any direct, indirect, incidental or consequential damages. Extech's total liability is limited to repair or replacement of the product. The warranty set forth above is inclusive and no other warranty, whether written or oral, is expressed or implied.

**Copyright © 2004 Extech Instruments Corporation. All rights reserved
including the right of reproduction in whole or in part in any form.**



BYRAM LABS
AN ENERGY TECHNOLOGY COMPANY

www.byramlabs.com
Branchburg, NJ 08876
Phone: 800-766-1212
Fax: 908-252-0822
