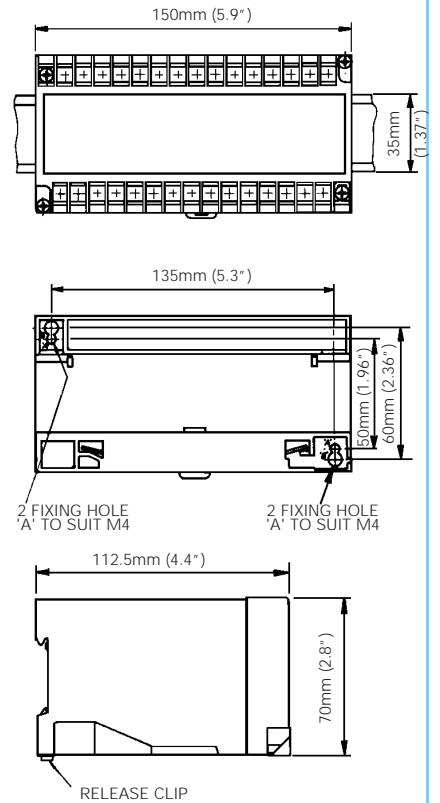


Specification – Combined Under/Over and Frequency

Nominal voltage	100V, 110V, 120V, 208V, 220V, 270V, 280V, 400V, 415V or 440V
System frequency	40/60Hz, 50/70Hz or 360/440Hz
Frequency differential	Pre-set at 0.1Hz (10Hz for 400Hz unit)
Voltage burden	3VA
Overloads	1.2 x rating continuously, 1.5 x rating for 10 x seconds
set point repeatability	>0.5% of full span
Differential (hysteresis)	Fixed internally at 1%
Trip level adjustment	Over-voltage: 100 to 125% Under-voltage: 75 to 100% of nominal input voltage
Time delay	Adjustable 1 to 30 seconds
Output relay	4 independent 2-pole change over
Relay contact rating	AC: 240V 5A, non inductive DC: 24V, 5A resistive
Relay mechanical life	0.2 million operations at rated loads
Relay reset	Automatic
Operating temperature	0°C to +60°C (0°C to +40°C for UL models)
Storage temperature	-20°C to +70°C
Temperature co-efficient	0.05% per °C
Interference immunity	Electrical stress surge withstand and non-function to ANSI/IEEE C37 90a
Enclosure style	DIN rail with wall mounting facility
Material	Flame retardant polycarbonate/ABS
Enclosure integrity	IP50
Compliant with	EMC, LVD, Safety Standard IEC 414 UL File No: E113067 recognised up to 600V
Dimensions	150mm (5.9") wide x 70mm (2.8") high x 112mm (4.4") deep
Weight	1.0Kg approx.

Dimensions

Model 256



Connections

256-PHV

