

Type CMV & CMV Hi-Temp Current Transformers

600 Volt, 10 kV BIL, Indoor or Outdoor

Product Bulletin 1VAP428201-DB



ABB

Product Features

- 600 Volt Indoor or Outdoor
- 10 kV BIL
- 25 through 60 Hertz
- Primary Amperes

CMV	100-4000
CMV-Hi Temp	200-4000
- 3.5" x 4.5" (88.9 mm x 114.3 mm) oval window
- Designed for pad-mounted distribution transformer metering from ILV terminals

Application

The CMV transformer is designed for pad-mounted distribution transformer metering. It is available in two external designs, tapered bottom and wide bottom, for adaptability to a variety of mounting arrangements. Both designs can be mounted directly over the ILV terminals of pad mounted distribution transformers.

The CMV-Hi Temperature (CMV Hi-Temp) is designed for metering on 600 volt systems inside high ambient temperature environments (135° C) and can be mounted directly upon the energized busbar. The CMV Hi-Temp also offers protection when in contact with the mounting bolts for the bus bar by extending the window liner to the back of the transformer.

Core and Coils

The CMV transformer has an oval shape ring-type core and fully distributed winding assembled around a glass-filled *polypropylene* window liner.

The CMV Hi-Temp transformer has an oval shape ring-type core and fully distributed winding assembled around a glass-filled *polyetherimide* window liner.

Insulation

Thermoplastic rubber insulating material is permanently molded to the core and coil assembly on the CMV and CMV-Hi Temp, resulting in a compact unit with excellent mechanical, thermal, and dielectric characteristics.

Secondary Terminals and Cover

The CMV and CMV Hi-Temp transformers are supplied with large compression-type secondary terminals, a short circuit device, and a clear rectangular snap-on cover suitable for locking with a meter seal. This clear plastic cover allows a visual check of connections and is keyed to a short circuit device to ensure proper installation. Terminals can also serve as a post-type connector by looping wire under the screw head.

Primary

The CMV and CMV-Hi Temp both have an oval primary opening suited to fit over the secondary spade in pad-mounted transformers.

Bus Bar Adapters (CMV only)

Optional bus bar adapters for attachment to the terminal spade, available only on the CMV, are shipped with the tapered bottom current transformer. Either design may be secured to a wall panel or bracket by inserting bolts through any pair of mounting holes in the transformer body.

Tapered Bottom or Wide Bottom Styles

The tapered bottom CMV adds clearance to locate three transformers (one unit upside down) over close, triangularly spaced, pad mounted transformer terminals. The wide bottom, available only on the CMV, has two additional mounting holes through the body to accommodate optional mounting feet or a one-piece base.

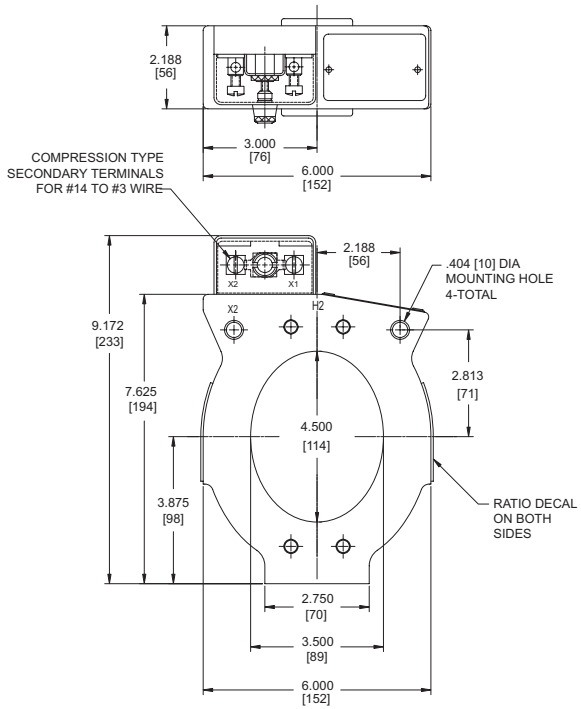
Test Reports

IEEE test reports are stored electronically in various formats and can be e-mailed at time of shipment.

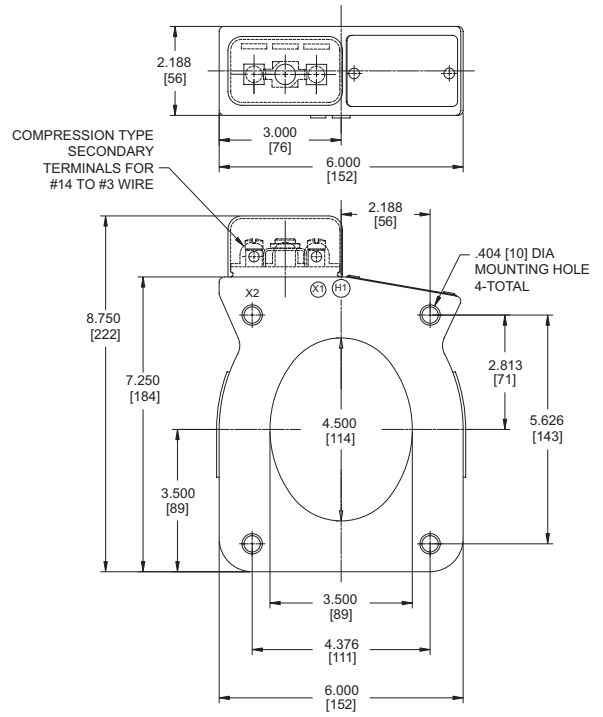
Standards

This unit meets all applicable IEEE and NEMA standards.

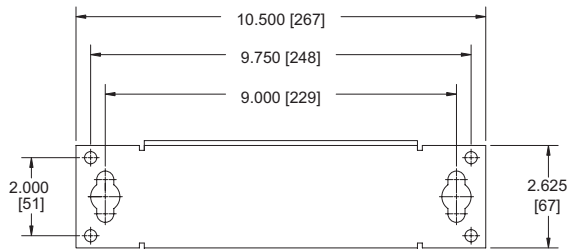
Tapered Bottom (CMV & CMV-Hi Temp)



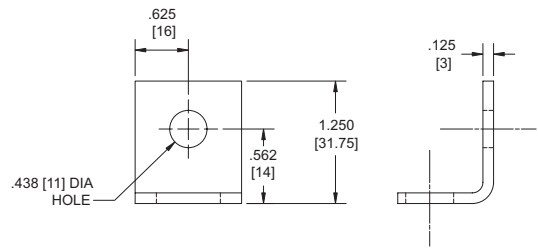
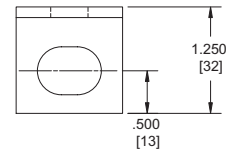
Wide Bottom (CMV only)



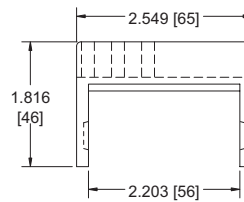
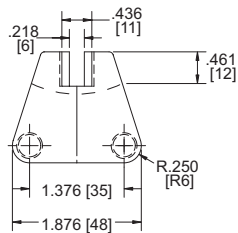
Optional Accessories



One-piece Base
(Wide Bottom only)



Mounting Feet (Kit of 4)
(Wide Bottom only)



Bus Bar Adapter
(Tapered Bottom & Wide Bottom)

Note: Metric dimensions are displayed in [mm].

