

Type CBT/1 and CBT-H Current Transformers

600 Volt, 10 kV BIL, Indoor or Outdoor

Product Bulletin 1VAP428111-DB



Product Features

- 600 Volt Indoor or Outdoor
- 10 kV BIL
- 25 through 60 Hertz
- Primary Amperes 100-800
- Non-removable primary bar can be rotated

Application

The CBT/1 and CBT-H bar-type current transformers are designed for use in metering 600 volt circuits.

Core and Coils

The ring-type core and fully distributed winding are assembled to a glass-filled polypropylene window liner. This assembly and an aluminum base support are injection molded in thermoplastic rubber.

Insulation

Thermoplastic rubber insulating material is permanently molded to the core and coil assembly, resulting in a compact unit with excellent mechanical, thermal, and dielectric characteristics.

Primary Bar

The primary copper bar is electro-tin plated and can be rotated for convenient positioning of the transformer. It is equipped with a potential terminal suitable for #6 to #14 wire.

Secondary Terminals and Cover

Compression-type secondary terminals will accommodate #14 through #2 wire. Each unit is equipped with a retainable shorting device and clear plastic cover, suitable for locking with a meter seal.

Base

The optional base is constructed of corrosion-resistant aluminum and secured to the encapsulated base support by four symmetrically located screws. Units ordered without a base are not equipped for future base mounting.

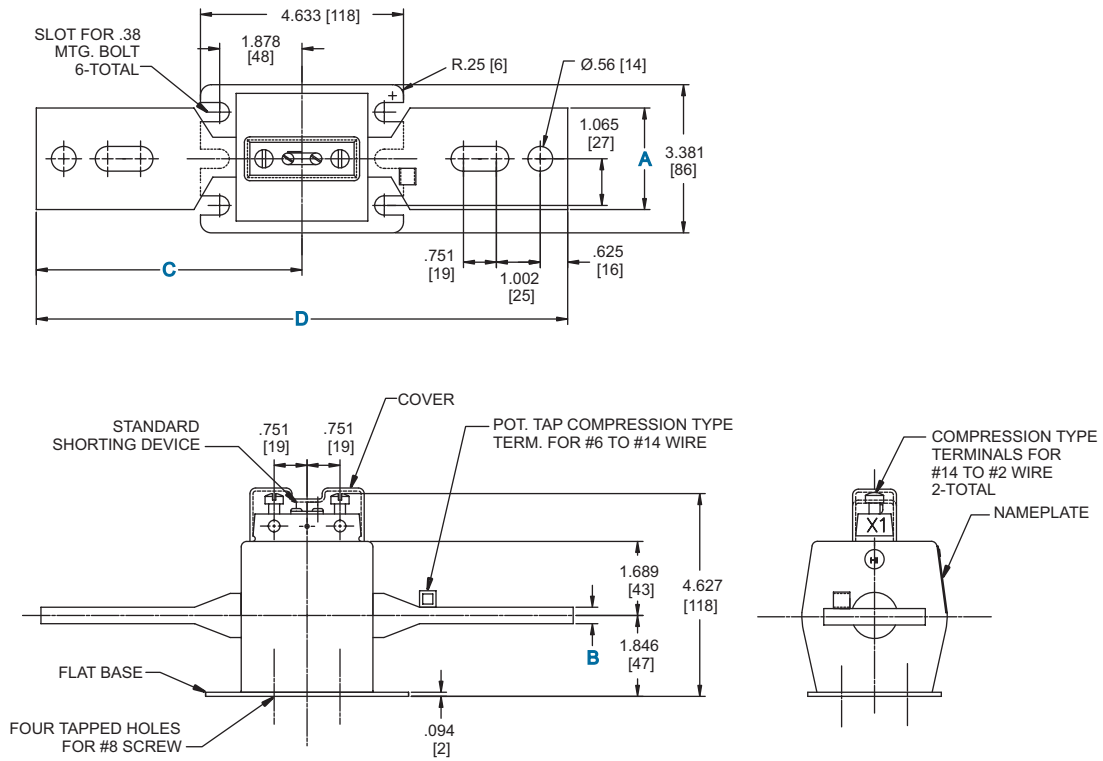
Test Reports

IEEE test reports are stored electronically and can be e-mailed in various formats at time of shipment.

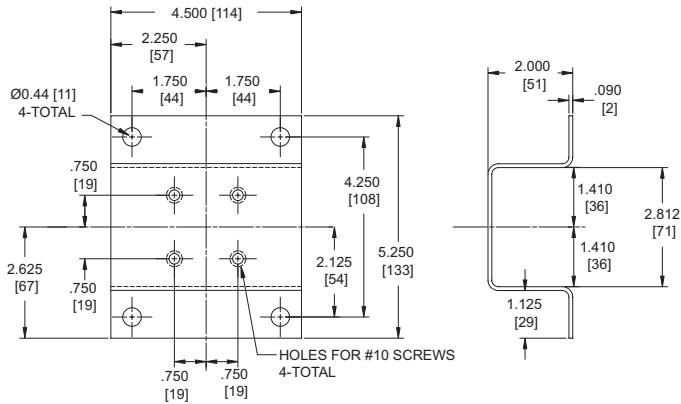
Standards

This unit meets all applicable IEEE and NEMA standards.

Unit Dimensions



Baseplate Dimensions



Note: Metric dimensions are displayed in [mm].

Primary Ampere Rating	Dimensions								Weight (lbs)	
	A		B		C		D		CBT/1	CBT-H
	(in)	(mm)	(in)	(mm)	(in)	(mm)	(in)	(mm)		
100	1.590	40	0.125	3	5.94	151	11.88	300	3.9	4.2
200	1.562	40	0.125	3	5.94	151	11.88	300	2.8	4.2
300	1.562	40	0.125	3	5.94	151	11.88	300	3.1	3.4
400	1.500	38	0.250	6	5.94	151	11.88	300	3.1	3.4
500	2.375	60	0.281	7	5.94	151	11.88	300	3.8	4.3
600	2.375	60	0.281	7	6.06	154	12.13	308	4.0	4.4
800	2.375	60	0.281	7	6.06	154	12.13	308	4.0	4.4

